

LightSpot Photocell

MP2000UF Universal Photocell

The MP2000UF is a high performance regulating and switching photocell for DSI, DALI, Analogue 1-10V and non-regulating ballasts.

It can be used with all common types of control gear in almost any environment where lights would be left on unnecessarily when there is sufficient daylight.

The MP2000UF observes the controlled space, not just daylight, and takes account of all light contributions.

Photocell operation is extremely user-friendly: lights will not be switched on or off until the Passing Cloud Time delay has elapsed thus removing the possibility of nuisance switching.

The MP2000UF offers more advanced features and operational parameters than an ordinary, simple photocell. Consequently, it requires careful and considered commissioning and is aimed at higher specification projects.

Features

Passing Cloud Timer - Prevents nuisance switching when light levels fluctuate rapidly, can be set from 5-60 minutes.

Automatic Reset - If overridden by user, will reset to normal operation after 12 hours.

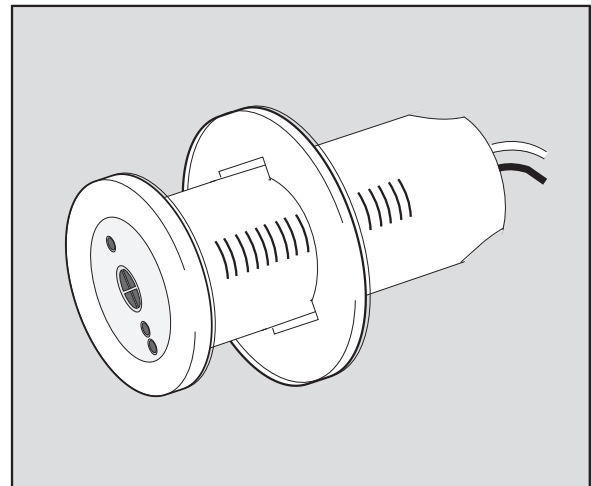
Compatible with DSI, DALI, Analogue 1-10V and non-dimmable fluorescent ballasts.

Easy to programme and configure using menu-driven HP2000 infrared programming tool.

Hand-held controllers HC5 and HC6 available for manual dimming and on/off control.

Easy installation - Designed for use in a suspended or plasterboard ceiling. Simple connections and commissioning.

A green LED on the front bezel indicates the demands of the MP2000UF to aid commissioning and fault finding (in Non-Dim mode).



Specification

Operating Voltage: 230V 50Hz

Power Consumption: <10W

Volt-free Contact: 6 Amps max. Any type of lighting load

Ambient Temperature Range: 0 - 40°C

Ballast Control Type: Single master; no other masters to be connected

Ballast Control Capacity: 25 Max (1-10V, DSI, DALI Ballasts - ballast type selected via HP2000)

Photocell Sensitivity: 0 - 5000 Lux (with a 20% reflective workplane)

Recommended Mounting Height: 2.4m

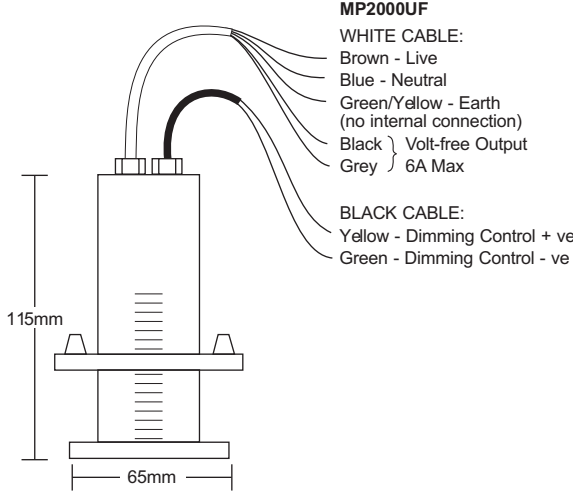

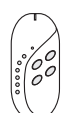

Maximum Mounting Height: 6.0m

Material: Flame Retardant PC/ABS

IP Rating: 4X

Weight: 350g

Please check www.ex-or.com to ensure this is the most recent issue - Ref: D4050F

Electrical Connections	Installation Notes
 <p>MP2000UF WHITE CABLE: Brown - Live Blue - Neutral Green/Yellow - Earth (no internal connection) Black } Volt-free Output Grey } 6A Max</p> <p>BLACK CABLE: Yellow - Dimming Control + ve Green - Dimming Control - ve</p> <p>115mm 65mm</p>	<p>Depth required behind ceiling: 125mm</p> <p>Use a 50mm diameter hole saw to cut out ceiling tile for installation.</p> <p>Please note that a plasterboard fixing kit (PB64) is available. Use a 64mm diameter hole saw if fixing with this kit.</p> <p>Note: Do not mount within 25cm of a luminaire.</p> <p>Note Due to the fact that the photocell is on the ceiling looking down, it is not possible for measurements made with a lux meter on the working plane to remain constant when daylight illuminates the ceiling and the working plane to a different extent. Therefore, products of this type should be regarded as being capable of maintaining an APPROXIMATE light level only.</p>
Ancillary Items	
 <p>HP2000 MLS Digital Programmer Menu-driven LCD Programmer with automatic equipment recognition and parameter download facilities.</p> <p>HP2000</p>	  <p>HC5 Universal Hand-held Controller HC6 Two-button Hand-held Controller</p> <p>(Both the above are supplied with wall bracket)</p>

Part Numbers

- MP2000UF** Universal Photocell - slimline flush
- HP2000** MLS Digital Programmer
- HC5** Universal Hand-held Controller c/w wall bracket
- HC6** Two-button Hand-held Controller c/w wall bracket

Ex-Or operates a genuine policy of continuous improvement. You may expect the specification to be regularly enhanced. For latest technical information, please visit www.ex-or.com