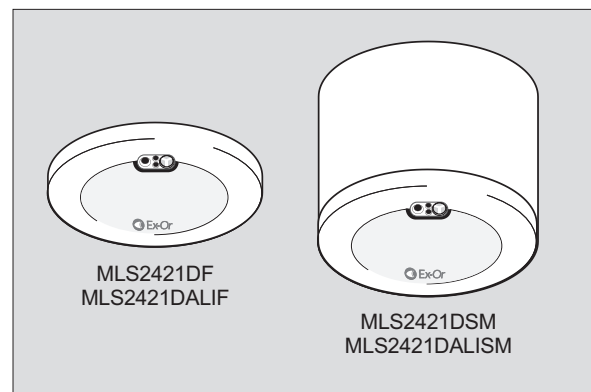


## MLS Digital - Networked Managed Lighting System

# Digital Gold Series Detector

Digital Gold is part of a comprehensive range of presence detection systems designed to control modular luminaires with DSI, DALI, high frequency ballasts and other lighting loads.

Digital Gold offers superior-performance, programmable presence detection for lighting control in offices and open-plan workstations. It uses microwave technology which enables the range to be adjusted to ensure a tailored detection pattern to suit any application and is available for flush and surface mounting with single or dual-circuit option. Digital Gold can operate as a stand-alone device or as part of a networked MLS Digital system. Non-networkable versions are available c/w with 3m cable and 7-way plug for use with the CDW10U2UL UltraLite Connection Centre.



Active presence detection by microwave technology.



Passive photocell holds lights off in bright ambient conditions. Active photocell has the capability to switch lights off in occupied areas.



Regulating photocell actively monitors ambient light levels and adjusts the light output accordingly (dimnable control gear only).



Incorporates simple scene-setting - up to six scenes can be set via user remote.



Off delay - period following the last observed movement after which the lights switch off.



Detection pattern and range in metres under normal operating conditions.



Dual circuit control. Digital output always influenced by photocell, relay output can be influenced by photocell if configured.



Hand-held Controllers provide local user override.



Remote programming with the HP2000 ensures changes can be easily accommodated.



OneSwitch Dimming. Manual input to adjust light level or turn luminaires on or off.

### Scene-setting

Users can set up to six lighting scenes by infrared remote control and recall them with the single press of a button.

### Entry and Exit Scenes

The entry scene is automatically selected when the area becomes occupied. Similarly, there is an option to select an Exit Scene for when an area is vacated.

### Ballast Compatibility

This detector is available for fixed-output high-frequency ballasts and dimmable DSI and DALI ballasts.

### Dual Output

Manual control of digital and relay outputs with OneSwitch dimming or hand-held controller.

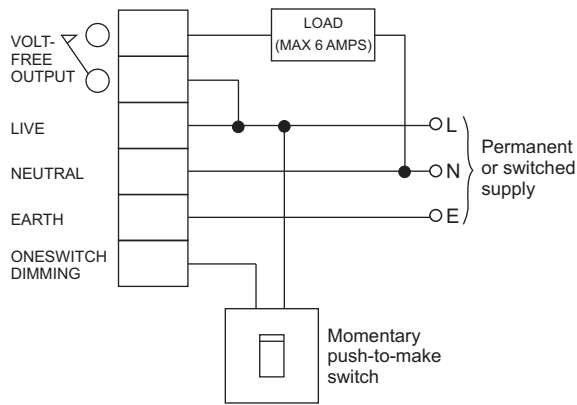
### Commissioning and Programmable Parameters

The operation of Digital Gold is determined by how the unit is commissioned. Commissioning and re-commissioning is carried out using a menu-driven, infrared remote programmer (HP2000) with virtually no disturbance to the building's occupants.

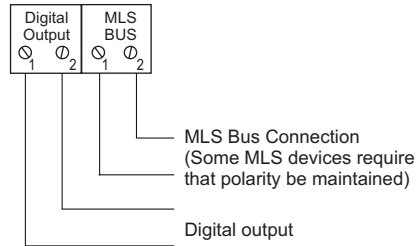
NB: Pluggable versions (MLS2421DFCWL7 and MLS2421DALIFCWL7) for use with the CDW10U2UL UltraLite Connection Centre do not offer MLS functionality and cannot be connected using MLS cable.

Please check [www.ex-or.com](http://www.ex-or.com) to ensure this is the most recent issue - Ref: D4058G

## Wiring Diagram



These Connections are Polarity-Free



Always check the product label before connecting.

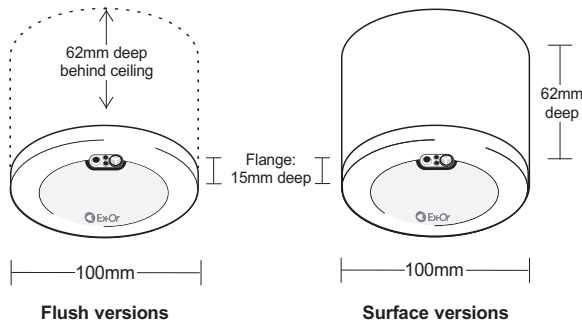
Relay outputs may be connected together in parallel to cover larger areas. The total load on all combined relay outputs must not, however, exceed 6 Amps.

Digital outputs MUST NOT be connected in parallel.

The diagram above shows a 'fully-utilised' unit. In its simplest form, controlling a non-dimmable load, just the mains supply and volt-free connections would be required. Please see installation instructions W4178 for further connection diagrams.

**Note:** Do not position this product on a pitch narrower than 5m. Do not mount within 0.25m of a luminaire.

## Dimensions



## Ancillary Items



HP2000

### HP2000 MLS Programmer

Menu-driven LCD Programmer with automatic equipment recognition and parameter download facilities.



HC6

### HC6 Two-button Hand-held Controller

Note: The HC5 Universal Hand-held Controller is also suitable for use with these detectors.

## Technical Data

MLS CABLE : 1.5mm<sup>2</sup> unscreened twisted-pair (applicable when detector is used as part of a full MLS Digital Managed Lighting System): see Application Note AN4001  
 OPERATING VOLTAGE: 230V 50Hz (UK & Europe)  
 PRODUCT RATING AND RECOMMENDED CIRCUIT PROTECTION: 10 Amps  
 MAXIMUM RECOMMENDED LOAD (VOLT-FREE): 6 Amps  
 MAXIMUM RECOMMENDED LOAD (DSI/DALI): 25 Ballasts  
 MAXIMUM RECOMMENDED MOUNTING HEIGHT: 3.0m  
 RANGE: Approx 7m dia at 2.4m ceiling height  
 OFF DELAY: 1 min - 96 hours plus 10-second walk-test mode  
 PHOTOCELL: Passive/Active/Regulating adjustable 50-5000 lux  
 MATERIAL: Flame retardant PC/ABS  
 COLOUR: White  
 WEIGHT: 300g  
 IP RATING: 2X

## Installation and Commissioning Notes

### Flush versions

Depth required behind ceiling: 62mm from front flange. Sinking box fits into 89mm diameter hole in ceiling tile or plasterboard ceiling. No access above the ceiling is necessary. The detector fits into the sinking box with a simple bayonet action thus concealing the fixing screws.

### Surface versions

The housing may be secured to a hard surface or a BESA box. The detector fits into the surface box with a simple bayonet action thus concealing the fixing screws.

Please note that Digital Gold is not recommended for applications where there are large surface areas of metal, e.g. metal ceiling or floor tiles, as unpredictable sensitivity may result.

Ex-Or operates a genuine policy of continuous improvement. You may expect the specification to be regularly enhanced. For latest technical information, please visit [www.ex-or.com](http://www.ex-or.com)

## Part Numbers

<b>MLS2421DF</b>	Gold Series Detector with photocell for DSI ballasts - flush
<b>MLS2421DFCWL7</b>	Gold Series UltraLite Detector for DSI ballasts - flush c/w 3m cable and 7-way plug for use with CDW10U2UL UltraLite Connection Centre (NB: This version does not offer MLS functionality and cannot be connected using MLS cable)
<b>MLS2421DSM</b>	Gold Series Detector with photocell for DSI ballasts - surface
<b>MLS2421DALIF</b>	Gold Series Detector with photocell for DALI ballasts - flush
<b>MLS2421DALIFCWL7</b>	Gold Series UltraLite Detector for DALI ballasts - flush c/w 3m cable and 7-way plug for use with CDW10U2UL UltraLite Connection Centre (NB: This version does not offer MLS functionality and cannot be connected using MLS cable)
<b>MLS2421DALISM</b>	Gold Series Detector with photocell for DALI ballasts - surface mounted
<b>HP2000</b>	MLS Digital Programmer
<b>HC6</b>	Two-button Hand-held Controller c/w wall bracket
<b>HC5</b>	Universal Hand-held Controller c/w wall bracket