

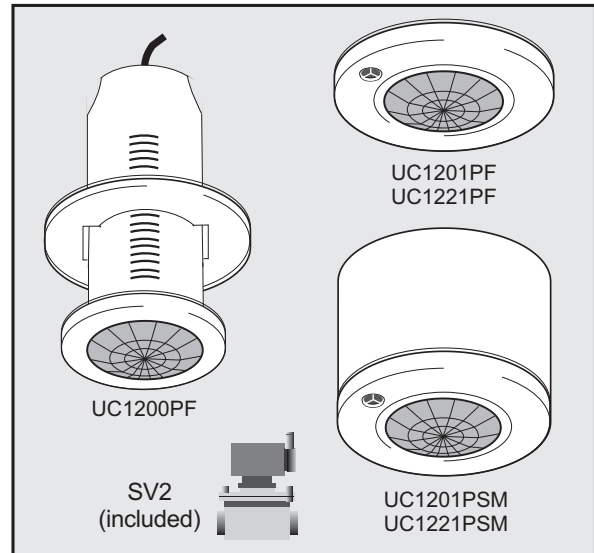
LightSpot - Stand-alone lighting control by presence detection and photocell

Washroom Series

Automatically flushing cisterns can waste a great deal of water. In a typical installation, every cistern flushes automatically all day and all night, during weekends and holidays, whether the facility is being used or not. A 10 litre cistern can use 20,000 litres of water a month and most of it is wasted.

Presence-detecting LightSpot washroom controls provide a simple and effective way to cut the waste and save money by regulating the flow of water to automatic flushing cisterns. Further savings can be made by switching off lights and fans in unoccupied toilet areas. With the dual-circuit version, the flush control can be programmed independently from the lighting control.

To ensure that fresh, hygienic conditions are maintained during holiday shutdowns, an automatic daily flush takes place.



Presence detection is by passive infrared, effectively enhanced to improve sensitivity to small movements.



Passive photocell holds lights off in bright ambient conditions. Active photocell has the capability to switch lights off in occupied areas.



5-35*

Off delay in minutes following the last observed movement after which the lights switch off.
 *Up to 96 hrs via HP2000; 5, 10 or 20 mins via HP18 (HP18 not suitable for UC1221P dual-circuit versions)



Detection pattern and approx range in metres at floor level for 2.5m mounting height (detection pattern is cone shaped).



Dual-circuit option (1 x volt-free, 1 x switched-live output: UC1221PF & UC1221PSM only). Switched-live influenced by photocell, volt-free output by presence detection only. Independent time delays can be programmed via HP10 or HP2000.



Hand-held Controllers provide local user override.



Remote programming ensures changes can be easily accommodated. Please see individual detector instructions for programmer compatibility.



Washroom mode. If no movement is detected in a 24-hour period, detector can be programmed to switch the load on for the duration of the off delay.

Programmable Parameters (via HP10)

Note: Additional parameters available via HP2000 (Limited programming options also available via HP18)

POWER UP Options: On/Off

Sets the status of luminaires when power is applied.

On - lights power-up on irrespective of occupancy.

Off - lights respond to occupancy after 30 seconds.

Pre-set - On

MOVEMENT DETECTOR OPERATION

Options: Auto/Semi-auto

Note: Only affects switched-live output.

Auto - lights switch on and off automatically.

Semi-auto - lights are switched on by wall switch or hand-held controller and switch off automatically. **Pre-set - Auto**

OFF DELAY Options: 5-35 minutes/Walk-test Mode

Sets the period after the last observed movement when the lights switch off. In walk-test mode, the Off Delay is 10 seconds.

Pre-set - 20 mins

PHOTOCELL Options: Active/Passive/Disabled

Passive - holds lights off when sufficient natural light.

Active - lights turn on and off as required when natural light levels fluctuate and area is occupied.

Disabled - the photocell has no effect. **Pre-set - Disabled**

24 HOUR CYCLE Options: Yes/No

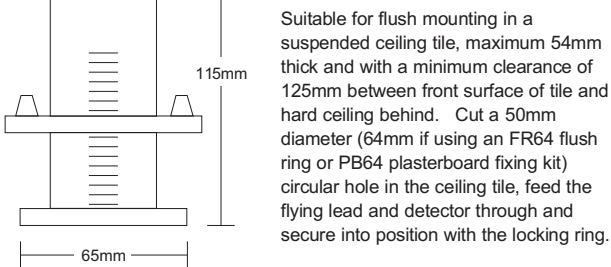
For use in 'Washroom Mode' only. Provides hygiene flush if area has been unoccupied for 24 hours. **Pre-set - No**

Please check www.ex-or.com to ensure this is the most recent issue - Ref: D4102D

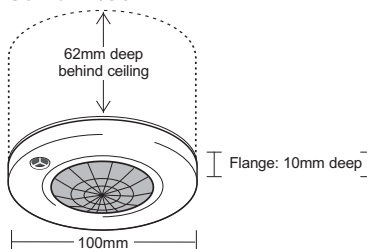
Dimensions and Installation Notes

UC1200PF

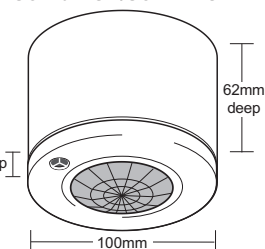
Brown - Live In
Black - Live Out
Blue - Neutral
Green/Yellow - Earth (no internal connection)



UC1201PF/UC1221PF



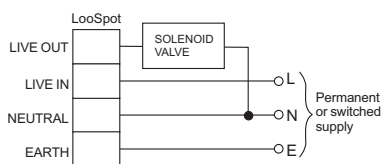
UC1201PSM/UC1221PSM



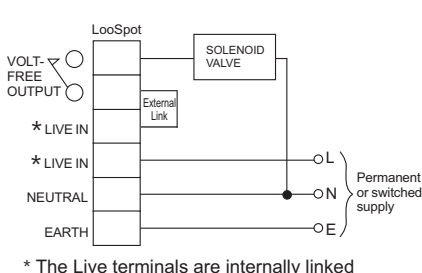
Note: Do not mount these detectors within 25cm of a luminaire.

Example Wiring Diagrams

Single UC1200PF
Controlling water

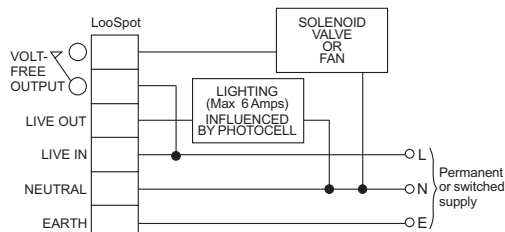


Single UC1201PF or UC1201PSM
Controlling water



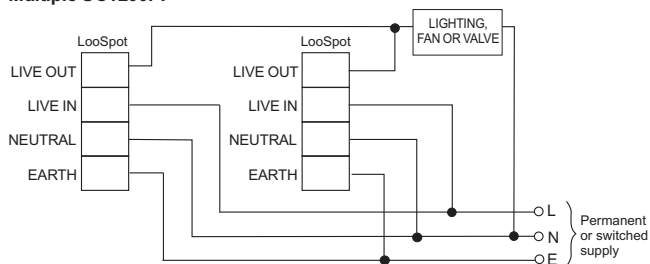
Single UC1221PF or UCS1221PSM

The UC1221 has two outputs, one influenced by the photocell (R1), the other not (R2). This is useful in applications where a fan or water is being controlled in addition to any lighting.

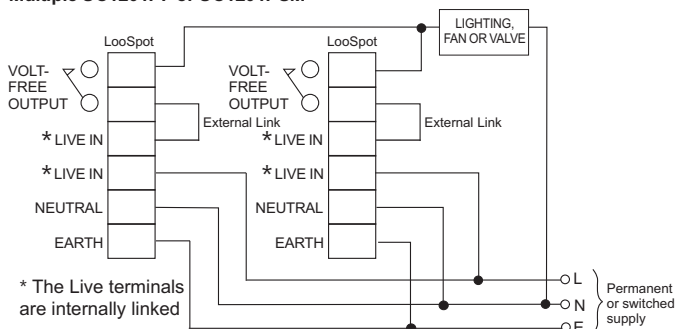


Larger areas can be covered by connecting extra units in parallel. The total load current must not exceed 6 Amps in case only one unit is activated.

Multiple UC1200PF



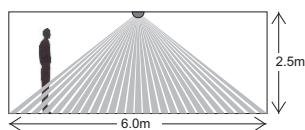
Multiple UC1201PF or UC1201PSM



Technical Data

MAXIMUM RECOMMENDED MOUNTING HEIGHT: 3.0m

RANGE: Cone-shaped detection pattern, diameter (at floor level) = 2.4 x mounting height



OFF DELAY: Adjustable: 1 min-96 hours / Disabled (via HP2000); 5-35 mins in 5-min increments (via HP10); 5, 10 or 20 mins (via HP18) - plus 10-second Walk-test Mode (OFF DELAY 1 & 2 on UC1221PF/SM are independently adjustable via HP10/HP2000)

PHOTOCELL: Adjustable 50-5000 lux via infrared programmer

OPERATING VOLTAGE: 230V 50Hz (UK & Europe)

RECOMMENDED CIRCUIT PROTECTION: 10 Amps

MAX LOAD: 6 Amps per output (not exceeding 10A in total)

COLOUR: White

MATERIAL: Flame retardant PC/ABS

WEIGHT: Slimline flush - 70g approx (excluding cable); Flush & surface - 200g approx

IP RATING: Slimline flush - 4X; Flush & Surface - 3X

Ancillary Items



HP2000 MLS Digital Programmer

Menu-driven LCD Programmer with automatic equipment recognition and parameter download facilities.



HP10 LightSpot Programmer

Infrared programming tool with 12 diode switches for the setting of individual parameters.



HP18 LightSpot Programmer

User-friendly override/programming remote controller.

Please note that the HP10 and HP18 do not give access to the full range of parameters.



HC6 Two-button Hand-held Controller

Note: The HC5 Universal Hand-held Controller is also suitable for use with these detectors

Ex-Or operates a genuine policy of continuous improvement. You may expect the specification to be regularly enhanced. For latest technical information, please visit www.ex-or.com

Part Numbers

UC1200PF	LightSpot washroom control with photocell - slimline flush
UC1201PF	LightSpot washroom control with photocell - flush
UC1201PSM	LightSpot washroom control with photocell - surface
UC1221PF	Dual-circuit LightSpot washroom control with photocell - flush
UC1221PSM	Dual-circuit LightSpot washroom control with photocell - surface

SVB	Housing for solenoid valve
HP2000	MLS Digital Programmer
HP10	LightSpot Programmer
HP18	LightSpot Programmer
HC6	Two-button Hand-held Controller