

LightSpot - Stand-alone lighting control by presence detection and photocell

BattenFit Sensor - IP65

The BattenFit Sensor is a simple-to-fit control solution for batten-style luminaires. With the IP65-rated models, outdoor as well as wet and wash-down areas can benefit from the energy savings BattenFit offers. Switching (with photocell option), or regulating for digital DSI or DALI ballasts, versions are available.

The range offers the following features (dependent on model):



Presence detection is by passive infrared, effectively enhanced to improve sensitivity to small movements.



Passive photocell holds lights off in bright ambient conditions. Active photocell has the capability to switch lights off in occupied areas. (MSB1001PT)



Regulating photocell ensures a minimum maintained light level, taking account of the contribution from adjacent luminaires and daylight. (MSB1001DT/MSB1001DALIT)



Off delay: Period following the last observed movement after which the lights switch off. Options differ with HP10/HP18. (Fixed on MSB1001T.)



Detection pattern and approx range in metres at floor level for 2.5m mounting height (detection pattern is cone shaped).



Incorporates simple scene-setting - up to six scenes can be set via user remote. (MSB1001DT/MSB1001DALIT)



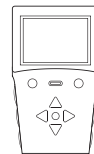
Hand Controller provides local user override.



Remote programming ensures changes can be easily accommodated.



Ancillary Items



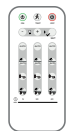
HP2000 MLS Digital Programmer

Menu-driven LCD Programmer with automatic equipment recognition and parameter download facilities.



HP10 LightSpot Programmer

Infrared programming tool with 12 diode switches for the setting of individual parameters.



HP18 LightSpot Programmer

User-friendly override/programming remote controller.

Please note that the HP10 and HP18 do not give access to the full range of parameters/options.



HC5



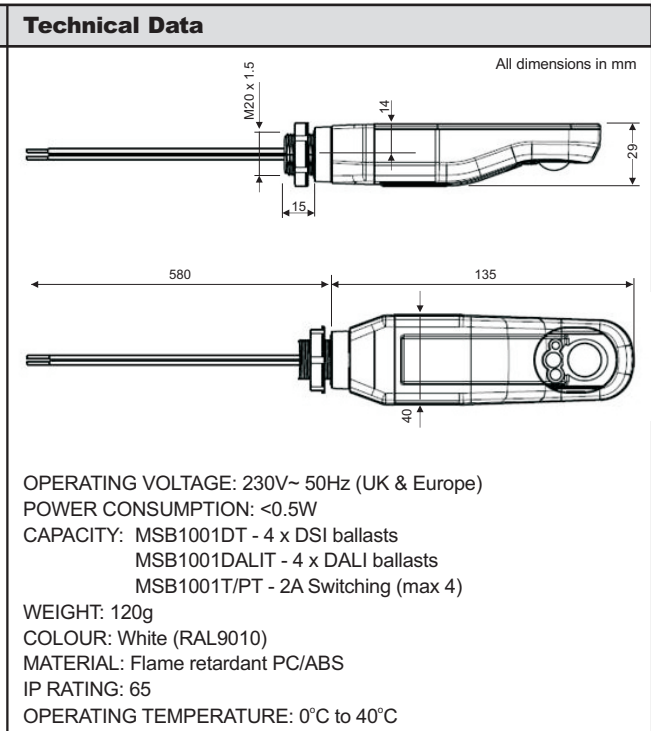
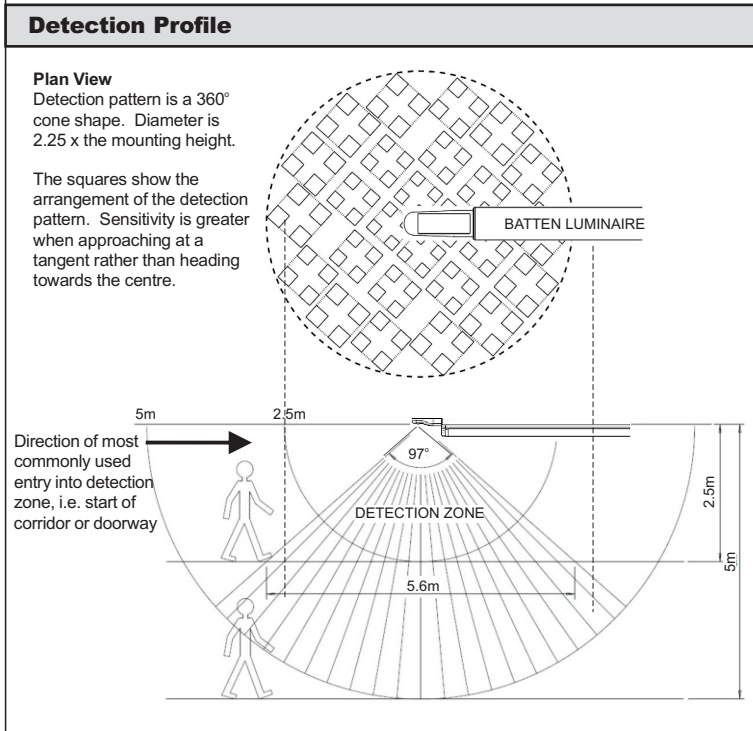
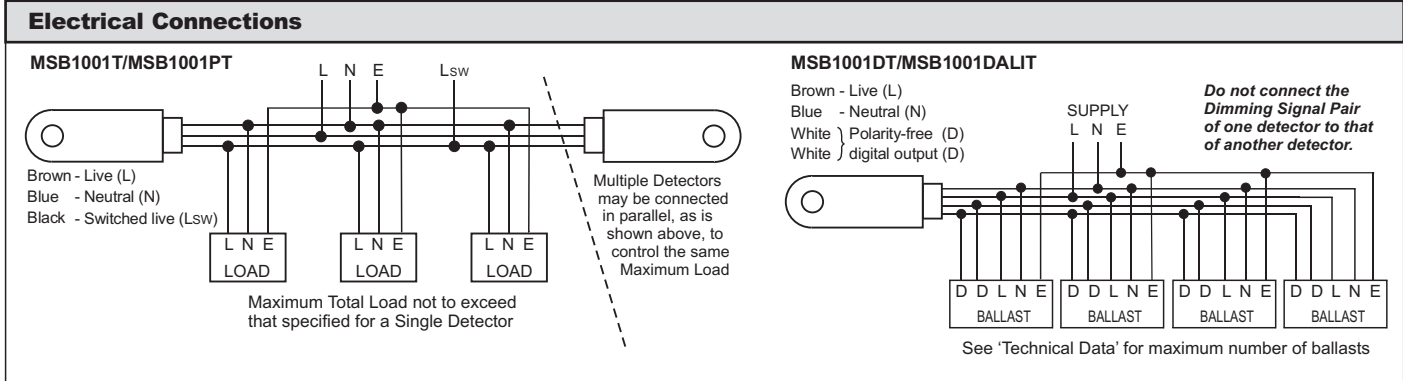
HC6

HC5 Universal Hand-held Controller

HC6 Two-button Hand-held Controller

Please check www.ex-or.com to ensure this is the most recent issue - Ref: D4124D

| Assembly/Installation | | Programmable Parameters | | Selectable Options (Factory pre-set shown in bold) |
|--|-----|-------------------------|---|---|
| <p>Polarising Plate (not supplied) A polarising plate can be made in order to prevent rotation of the sensor during transport or installation. Please refer to installation instructions for details on how to produce.</p> | | | | These parameters may be re-programmed any number of times and all settings will be retained in the event of a power loss. Options via HP2000 shown. These differ via HP10/HP18. |
| | | MSB1001T | MSB1001PT | |
| | | MSB1001DT/MSB1001DALIT | | |
| Power up | ☐ ✓ | ✓ | On / Off | |
| Response | ☐ ✓ | ✓ | Auto / Semi-Auto | |
| Off Delay | ☐ ✓ | ✓ | 1 min-96 hrs plus 10-second walk test. 20 mins | |
| 24 Hour Cycle | | ✓ | Off / On | |
| Start Lamps | | ✓ | Max / Min | |
| Entry Scene | | ✓ | Select Scenes 1 - 6. Scene 1 | |
| Bright-out | | ✓ | Yes / No | |
| Dimming | | | Reg 100-50% Sets the regulating range of the ballast in daylight conditions, i.e. at 100% the ballast can regulate over its full range, at 70% the ballast will not dim below 30% output. Reg 100% | |
| Lamp Max | | ✓ | 10-100% (10-50% in 5% increments; 50%+ in 10% increments) 100% | |
| Fade to Off | | ✓ | Yes / No | |
| When Vacant | | ✓ | Switch off after Off Delay | |
| | | ✓ | Go to Minimum and do not switch off | |
| | | ✓ | Go to Minimum for 3 x Off Delay (XTN), then switch off | |
| | | ✓ | Regulate up to 25% } and do not switch off | |
| | | ✓ | Go to Scene 6 } OR for 3 x Off Delay (XTN) | |
| Photocell Mode | | ✓ | Passive / Active / Disabled | |
| Lower Threshold | | ✓ | 0-254 Point where photocell turns lights on in Active Mode 254 | |
| Upper Threshold | | ✓ | 0-254 Point where photocell turns lights off in Active Mode 254 | |



Ex-Or operates a genuine policy of continuous improvement. You may expect the specification to be regularly enhanced. For latest technical information, please visit www.ex-or.com

Part Numbers

| | |
|---------------------|---|
| MSB1001T | IP65-rated BattenFit Sensor: 2A Switching |
| MSB1001PT | IP65-rated BattenFit Sensor: 2A Switching with Photocell |
| MSB1001DT | IP65-rated BattenFit Sensor with Regulating Photocell for DSI ballasts |
| MSB1001DALIT | IP65-rated BattenFit Sensor with Regulating Photocell for DALI ballasts |

| | |
|---------------|--|
| HP2000 | MLS Digital Programmer |
| HP10 | LightSpot Programmer |
| HP18 | LightSpot Programmer |
| HC5 | Universal Hand-held Controller c/w wall bracket |
| HC6 | Two-button Hand-held Controller c/w wall bracket |