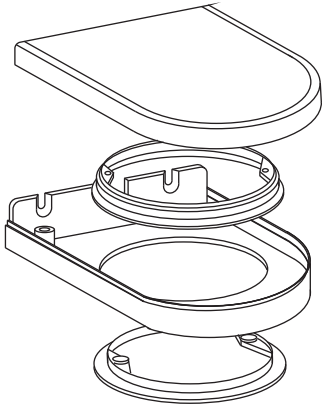
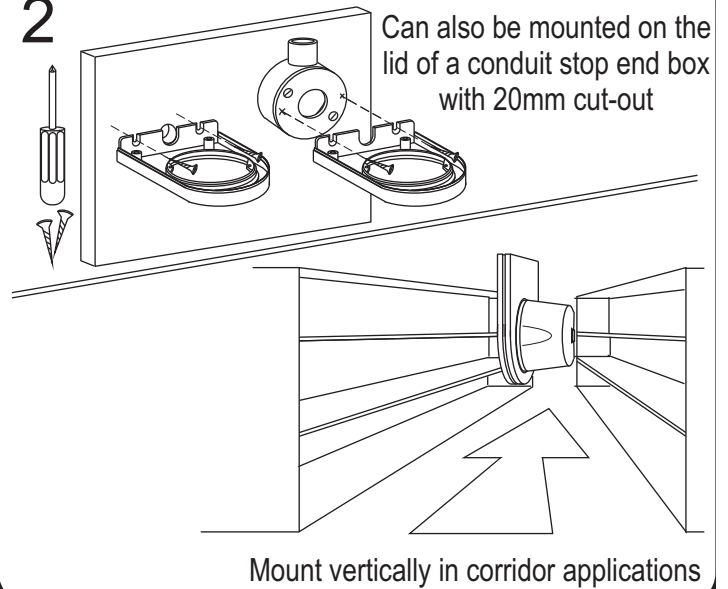


1 Wall Mounting Kit (supplied assembled)



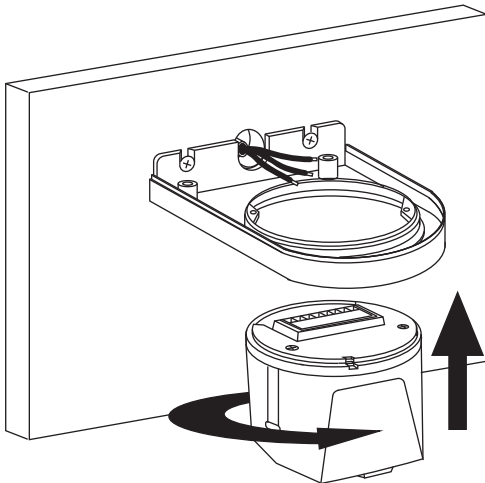
Discard clamping ring and back box supplied with MR/LR detector

2

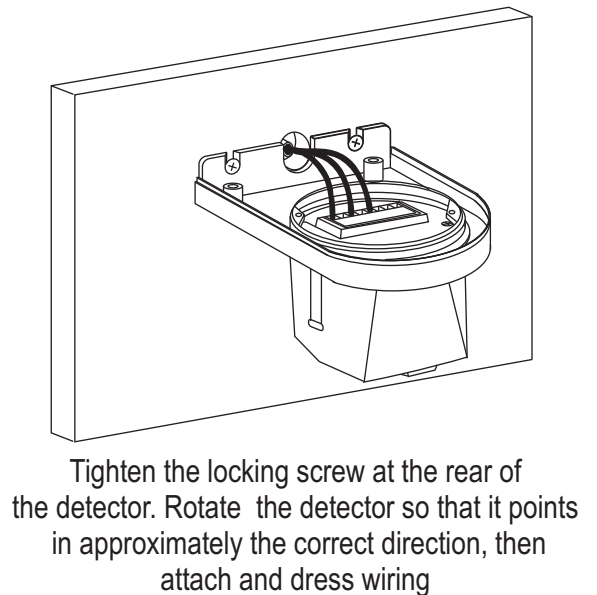


3

Offer the detector up to the WMK and twist into place

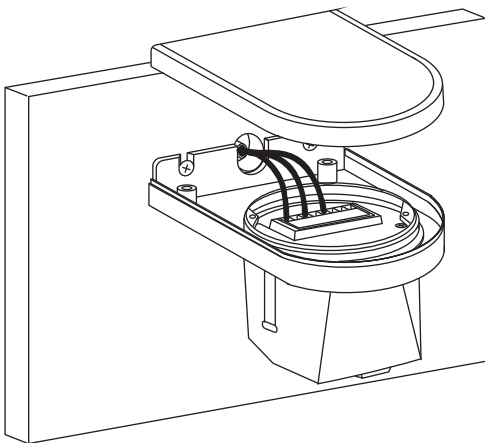


4



5

Fix the WMK lid in place using the screws provided



6

Commission detector as required

