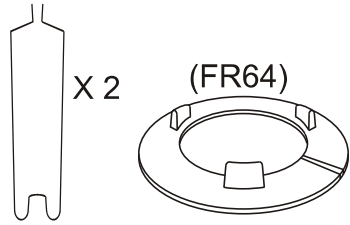


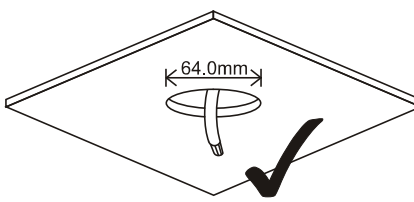
## PB64 (Plasterboard Fixing Kit) Installation Instructions - W4136A 08/03

① Supplied are 2 plasterboard fixing springs and an FR64. A 64mm hole saw is also required. The kit is for use only with Ex-Or's range of Slimline presence detectors.



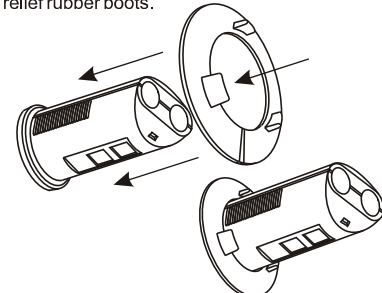
X 2 (FR64)

② Select a suitable mounting location and drill a 64mm hole into the plasterboard ceiling. Ensure that any necessary first-fix wiring is present before continuing.

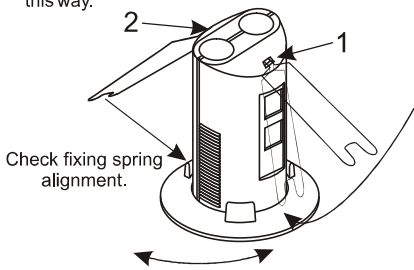


64.0mm

③ Fit the FR64 to the Slimline presence detector in accordance with its installation instructions. Wire the detector in accordance with its installation instructions. If the detector is to be connected via a patch lead (illustrated fig. 5, below), the lead must not be fitted with strain-relief rubber boots.



④ Insert the plasterboard fixing springs into the two cut-outs at the rear of the detector. They will be held in place by the plasterboard ceiling once installed. Please note that in the drawing below, spring '2' will locate around the support pillar on the FR64 when fitted in the ceiling. The FR64 and fixing spring must be aligned this way.

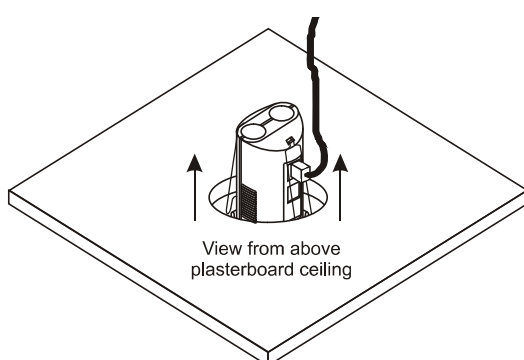


Check fixing spring alignment.

⑤ Carefully bend the plasterboard fixing springs down and hold the detector, FR64 and springs (once bent into position), as one, from below. Care must be taken not to release the springs in this position as they are under pressure and may detach from the detector. Feed the detector and cable through the 64mm hole until the assembly is flush with the ceiling.

Apply power to the detector and commission as required.

Extra care must be taken if removing the detector from the ceiling. The fixing springs are held under pressure by the ceiling and may detach from the detector upon its removal.



View from above plasterboard ceiling