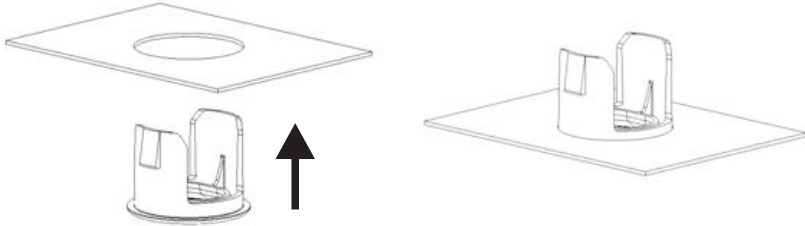


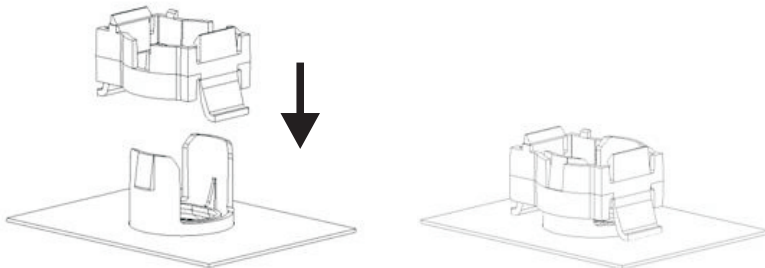
DHFK

Installation Instructions

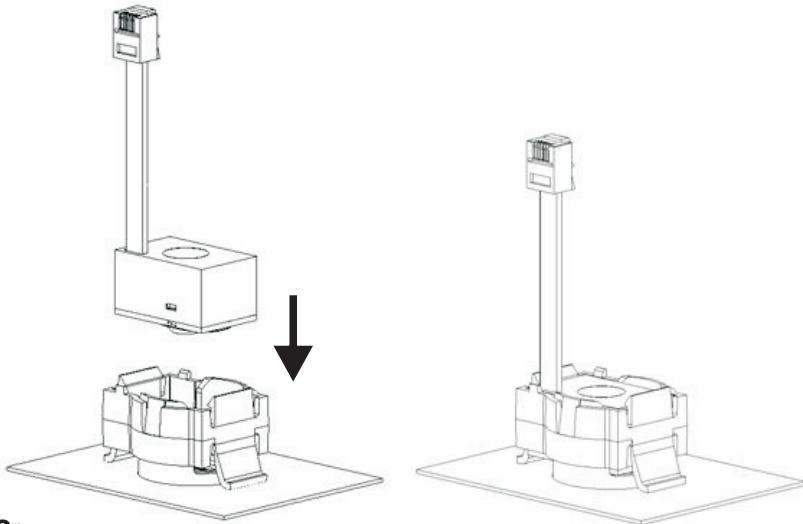
1. Drill a 30mm \pm 0.3 hole in the panel. The panel can be 0.5 to 4.0mm thick. Insert the bezel as shown.



2. Snap the retaining clip into place.



3. Align the oval on the front face of the sensor with the opening in the bezel and clip the sensor into place.



Ex-Or

Haydock Lane, Haydock, Merseyside WA11 9UJ

Tel: +44 (0)1942 719229

Fax: +44 (0)1942 272767

Email: technicalsales.ex-or@honeywell.com

www.ex-or.com



Ex-Or

Making light work

50056150 REV A

W4423B