



LightSpot HD Dimming PIR Sensors

A range of high performance PIR sensors for dependable control of analogue and digital dimming lighting loads.

High definition lenses, performance optics and software are all optimised to provide class leading sensitivity and occupancy detection ensuring that the lights are always on when required.

Features and benefits

- High sensitivity occupancy detection
- Integrated daylight dimming
- Automatic selection of DALI / DSI
- Quick, easy commissioning with wireless programming tools
- Enhanced detection range
- Product offering Up to 16m mounting height
- Absence & Presence mode operation
- Simplified installation
- Flush and surface mount options



Applications

- Commercial Offices
- Education
- Healthcare
- Hospitality
- Industrial

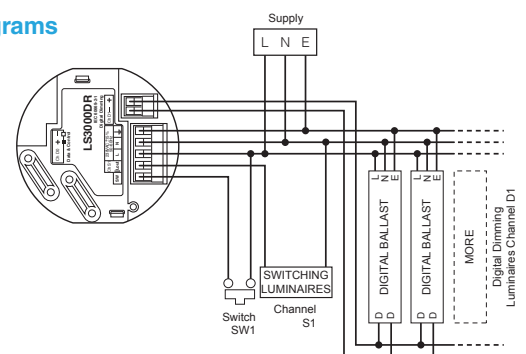
Technical Data

Technology	PIR
Coverage	360° (Range detailed overleaf)
Operating Voltage	230V +/- 15% 50/60 Hz Recommended Circuit Protection 16A MCB
Power Consumption	Load On 500mW Load Off 150mW
Load Rating	Switching - 10A (Max Inrush Current 80A) Dimming - 15 Ballasts
Operating Temperature	0° C to 45° C
Storage Temperature	-20° C to 80° C
Humidity	20% to 80% non-condensing
Fascia Colour	White (RAL9010)
Weight	140g
Material	Flame retardant PC/ABS
IP Rating	IP4x
Conformity	EMC-2004/108/EC LVD - 2006/95/EC RoHS-2011/65/EU

Products

	Switching	Digital Dimming	Analogue Dimming	Office	Mid Bay	High Bay
LS3000AR	•		•	•		
LS3000D		•		•		
LS3000DR	•	•		•		
LS3000ARMB	•		•		•	
LS3000DMB		•			•	
LS3000DRMB	•	•			•	
LS3000ARHB	•		•			•
LS3000DHB		•				•
LS3000DRHB	•	•				•

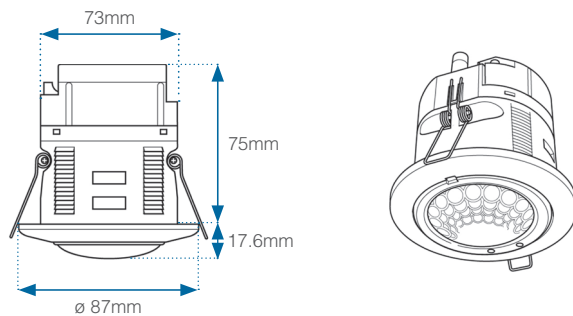
Connection Diagrams



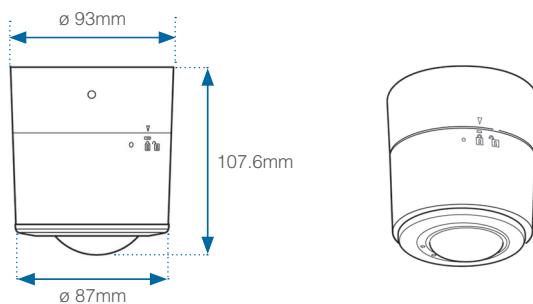
Key Programmable Parameters

	LS3000R (All variants)	Defaults
Occupancy Timeout	5 Sec – 4 Hrs	20 Mins
Photocell Operation	Enabled/Disabled	Enabled
Photocell Turn ON Level	100 – 1000 Lux	200 Lux
Photocell Turn OFF Level	100 – 1000 Lux	800 Lux
Power-up State	Occupied / Unoccupied	Occupied
Fade to Off	Instant/Fast/Medium/Slow	Medium
Movement Sensitivity	Low/Med/High/Max	Max
Indicator LEDs	On/Off Enabled/Disabled	Disabled
Trigger Mode	Presence/Absence/Auto absence	Presence
Setback Sensitivity	20% to 100%	100%

Flush Mount



Surface Mount

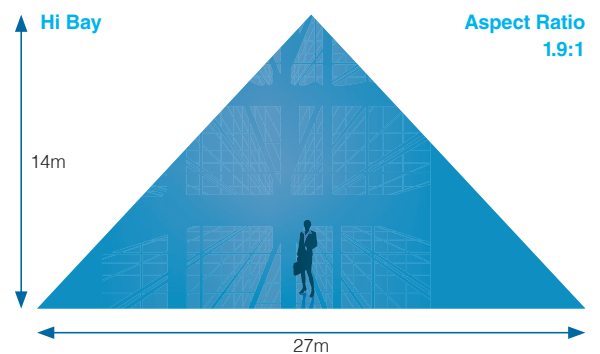
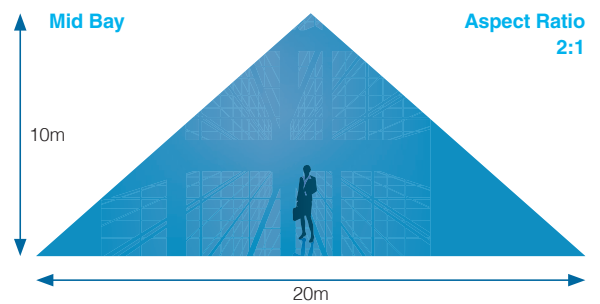
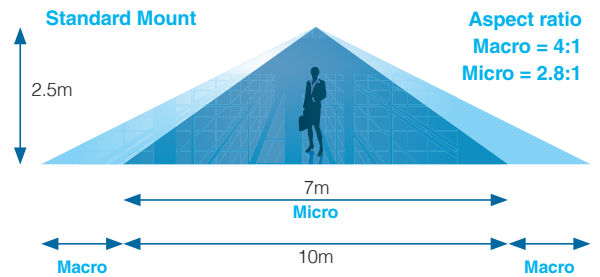


LightSpot HD Dimming PIR Sensors

LS3000ARF	LightSpot HD 1-10v Analogue Dimming Sensor Flush Mount
LS3000ARSM	LightSpot HD 1-10v Analogue Dimming Sensor Surface Mount
LS3000DF	LightSpot HD Digital Dimming Sensor Flush Mount
LS3000DSM	LightSpot HD Digital Dimming Sensor Surface Mount
LS3000DRF	LightSpot HD Digital Dimming Sensor With Relay Flush Mount
LS3000DRSM	LightSpot HD Digital Dimming Sensor With Relay Surface Mount
LS3000ARMBF	LightSpot HD Mid-Bay 1-10v Analogue Dimming Sensor Flush Mount
LS3000ARMBSM	LightSpot HD Mid-Bay 1-10v Analogue Dimming Sensor Surface Mount
LS3000DMBF	LightSpot HD Mid-Bay Digital Dimming Sensor Flush Mount
LS3000DMBSM	LightSpot HD Mid-Bay Digital Dimming Sensor Surface Mount
LS3000DRMBF	LightSpot HD Mid-Bay Digital Dimming Sensor With Relay Flush Mount
LS3000DRMBSM	LightSpot HD Mid-Bay Digital Dimming Sensor With Relay Surface Mount
LS3000ARHBF	LightSpot HD Hi-Bay 1-10v Analogue Dimming Sensor Flush Mount
LS3000ARHBSM	LightSpot HD Hi-Bay 1-10v Analogue Dimming Sensor Surface Mount
LS3000DHBF	LightSpot HD Hi-Bay Digital Dimming Sensor Flush Mount
LS3000DHBSM	LightSpot HD Hi-Bay Digital Dimming Sensor Surface Mount
LS3000DRHBF	LightSpot HD Hi-Bay Digital Dimming Sensor With Relay Flush Mount
LS3000DRHBSM	LightSpot HD Hi-Bay Digital Dimming Sensor With Relay Surface Mount

Sensing Data

	Aspect ratio (diameter: height)		
Type	Micro Detection - High Sensitivity	Micro Detection - Standard Sensitivity	Max recommended mounting height
Office	2.8:1 (7m diameter @ 2.5m height)	4:1 (10m diameter @ 2.5m height)	3.5m
Mid Bay	N/A	2:1 (20m diameter @ 10m height)	12m
High Bay	N/A	1.9:1 (27m diameter @ 14m height)	16m



LightSpot HD Tools

QuickControl	LightSpot HD Infrared User Controller
QuickSet	LightSpot HD Infrared Programming Tool
QuickSet Pro	LightSpot HD Digital 2 Way Programming Tool

LightSpot HD Accessories

SURFMT	LightSpot HD Surface Mount Kit
LOCKRING	LightSpot HD Secure Flush Mount Adaptor