



LightSpot HD Switching PIR Sensors

A range of high performance PIR sensors for dependable switching of lighting loads.

High definition lenses, performance optics and software are all optimised to provide class leading sensitivity and occupancy detection ensuring that the lights are always on when required.

Features and benefits

- High sensitivity occupancy detection
- Integrated daylight sensing
- Quick, easy commissioning with wireless programming tools
- Enhanced detection range
- Product offering up to 16m mounting height
- Absence & Presence mode operation
- Simplified installation
- Flush and surface mount options



Applications

- Commercial Offices
- Education
- Healthcare
- Hospitality
- Industrial

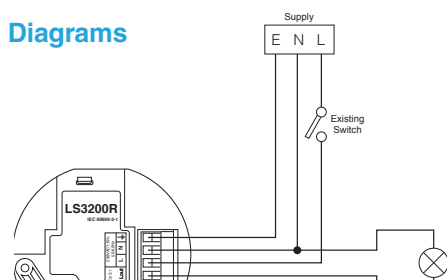
Technical Data

Technology	PIR
Coverage	360° (Range detailed overleaf)
Operating Voltage	230V +/- 15% 50/60 Hz Recommended Circuit Protection 16A MCB
Power Consumption	Load On 500mW Load Off 150mW
Load Rating	LS3100 6A LS3200 10A Max Inrush Current 80A
Operating Temperature	0° C to 45° C
Storage Temperature	-20° C to 80° C
Humidity	20% to 80% non-condensing
Fascia Colour	White (RAL9010)
Weight	140g
Material	Flame retardant PC/ABS
IP Rating	IP4x (IP55 LS3200RIP)
Conformity	EMC-2004/108/EC LVD - 2006/95/EC RoHS-2011/65/EU

Products

	Flush Mount	Surface Mount	Switching (10A)	Manual "OneSwitch"	Programmable Manual Switch input	IP55	Office	Mid Bay	High Bay
LS3100RF	•		•	•			•		
LS3100RSM		•	•	•			•		
LS3200RF	•		•		•		•		
LS3200RSM		•	•		•		•		
LS3200RIPF	•		•		•	•	•		
LS3200RMBF	•		•		•			•	
LS3200MBSM		•	•		•			•	
LS3200RHBF	•		•		•				•
LS3200RHBSM		•	•		•				•

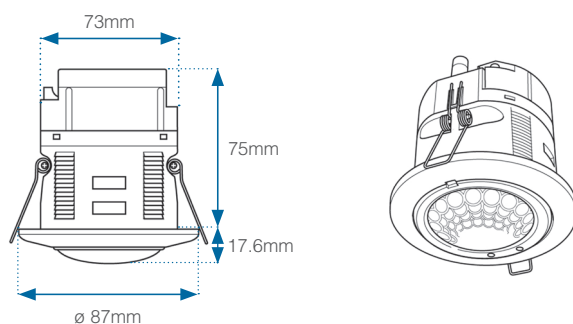
Connection Diagrams



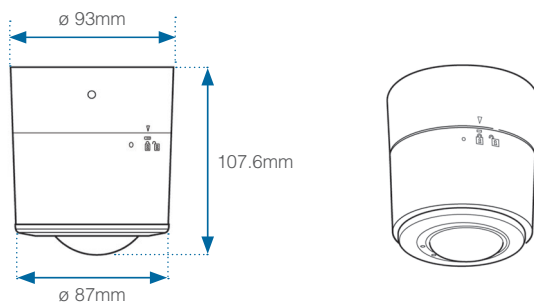
Key Programmable Parameters

	LS3100R	LS3200R (All variants)	Defaults
Occupancy Timeout	5 Sec to ∞	5 Sec to ∞	20 Mins
Photocell Operation	Enable/Disable	Enable/Disable	Enable
Photocell Turn ON Level	100 – 1000 Lux	100 – 1000 Lux	200 Lux
Photocell Turn OFF Level	100 – 1000 Lux	100 – 1000 Lux	800 Lux
Power-up State	Occupied/ Unoccupied	Occupied / Unoccupied	Occupied
Movement Sensitivity		Low/Med/High/Max	Max
Indicator LEDs	On/Off Enable/Disable	On/Off Enable/Disable	Disable
Trigger Mode		Presence/Absence/ Auto absence	Presence
Setback Sensitivity		20% to 100%	100%

Flush Mount



Surface Mount

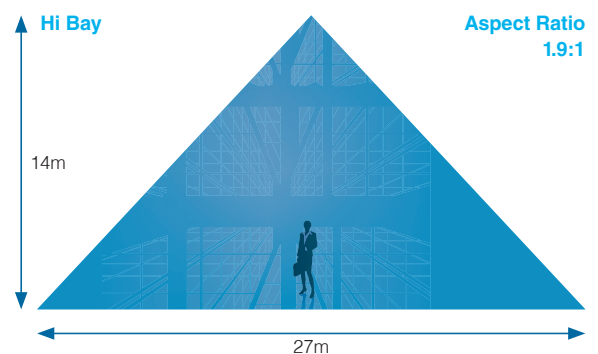
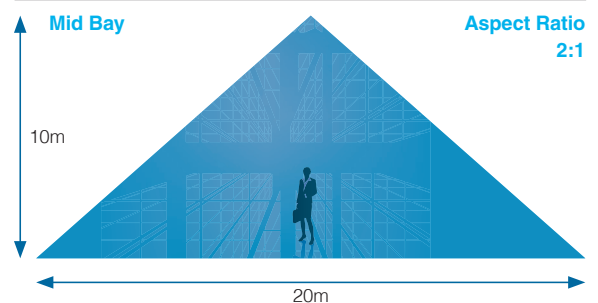
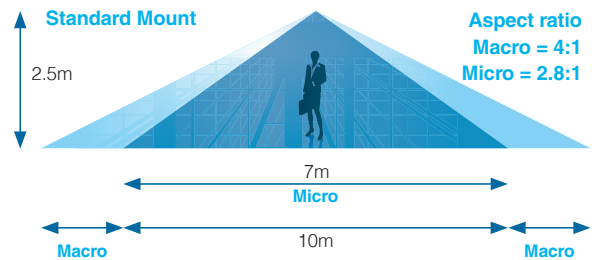


LightSpot HD Switching PIR Sensors

LS3100RF	LightSpot HD Switching Sensor Flush Mount
LS3100RSM	LightSpot HD Switching Sensor Surface Mount
LS3200RF	LightSpot HD Switching Sensor with Manual Override Flush Mount
LS3200RSM	LightSpot HD Switching Sensor with Manual Override Surface Mount
LS3200RIPF	LightSpot HD IP55 Switching Sensor with Manual Override Flush Mount
LS3200RMBF	LightSpot HD Switching Sensor With Manual Override Flush Mount
LS3200RMBSM	LightSpot HD Mid-Bay Switching Sensor Flush Mount
LS3200RHBF	LightSpot HD Hi-Bay Switching Sensor Flush Mount
LS3200RHBSM	LightSpot HD Hi-Bay Switching
LS3243RF	LightSpot HD QuickLink Master Switching Sensor with Lens Tilting And Low Power Flush Mount
LS3243RSM	LightSpot HD QuickLink Master Switching Sensor with Lens Tilting And Low Power Surface Mount

Sensing Data

	Aspect ratio (diameter: height)		
Type	Micro Detection - High Sensitivity	Micro Detection - Standard Sensitivity	Max recommended mounting height
Office	2.8:1 (7m diameter @ 2.5 height)	4:1 (10m diameter @ 2.5m height)	3.5m
Mid Bay	N/A	2:1 (20m diameter @ 10m height)	12m
High Bay	N/A	1.9:1 (27m diameter @ 14m height)	16m



LightSpot HD Tools

QuickControl	LightSpot HD Infrared User Controller
QuickSet	LightSpot HD Infrared Programming Tool
QuickSet Pro	LightSpot HD Digital 2 Way Programming Tool

LightSpot HD Accessories

SURFMT	LightSpot HD Surface Mount Kit
LOCKRING	LightSpot HD Secure Flush Mount Adaptor