



Chroma 100

Electronic Chimes

Electronic chimes CROMA 100

The **DESIGNER CHIME** with a large selection of melodies and additional ALARM function – a „jewel“ in any room!

Functions

- 17 brilliant polyphone sounds (2/3 tone, Westminster, pop, special tone seq. for people with hearing difficulties, classical etc.)
- Switchable from melody to ALARM tone (optimal for use in combination with movement detectors in a shop, for example, when a melody should sound during the day and an ALARM tone at night)
- 2 different paging signals for optimum access control
- SILENCE function (one-button mute function) with LED indicator
- User-friendly easyTIP control unit for all functions (fold-up cover)

Technical data

- Voltages/Currents: see above (minimal standby losses for long battery life — in normal use approx. 3 years incl. LowBatt display)
- Volume adjustable up to max. 86 dB(A)
- Temperature range +5°C to +40°C
- VDE-tested
- Frosted semi-transparent 4 mm perspex pane; high-grade silver or grey-painted ABS plastic
- Protection rating IP 40

Installations

- Battery operated with 4 x 1.5V "C" size*
- Transformer 8–12 V~/=
- Safe ring tone activation with potential-free contact or with 8–12 V~/=
- Can also be used for mixed installations and renovation (e.g. existing 8 V power supply from a customer-supplied bell transformer and triggering with a potential-free contact)
- Optimum pre-assembly (screw distances correspond to flush-mounting box diameter)
- Parallel circuit to further CROMA chimes or to electromechanical chimes possible

Model	Order No	Description	Colour	Dimensions
CROMA 100A	43170	17 brilliant polyphone sounds (2/3 tone, Westminster, pop, special tone seq. for people with hearing difficulties, classical etc.) Transformer or battery operated.	Sliver/Grey	191(H) x 163(W) x 51(D)mm
CROMA 100A ws/ws	43172	17 brilliant polyphone sounds (2/3 tone, Westminster, pop, special tone seq. for people with hearing difficulties, classical etc.) Transformer or battery operated.	White/White	191(H) x 163(W) x 51(D)mm
CROMA 100A ws/si	43573	17 brilliant polyphone sounds (2/3 tone, Westminster, pop, special tone seq. for people with hearing difficulties, classical etc.) Transformer or battery operated.	White/Silver	191(H) x 163(W) x 51(D)mm
CROMA ws/sw	43574	17 brilliant polyphone sounds (2/3 tone, Westminster, pop, special tone seq. for people with hearing difficulties, classical etc.) Transformer or battery operated.	White/Black	191(H) x 163(W) x 51(D)mm



CROMA 100A



CROMA 100A ws/ws



CROMA 100A ws/si



CROMA 100A ws/sw

* Batteries not in the scope of delivery

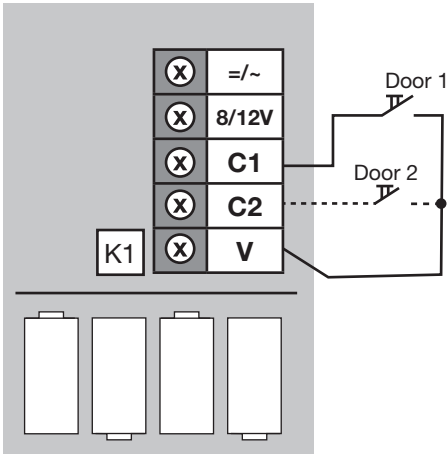


Chroma 100 Electronic Chimes

Wiring Diagram

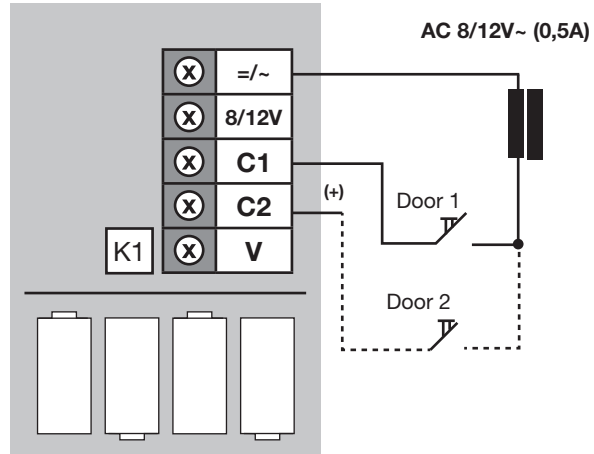
A

Power Supply Battery
Start Sound Contact polarity free



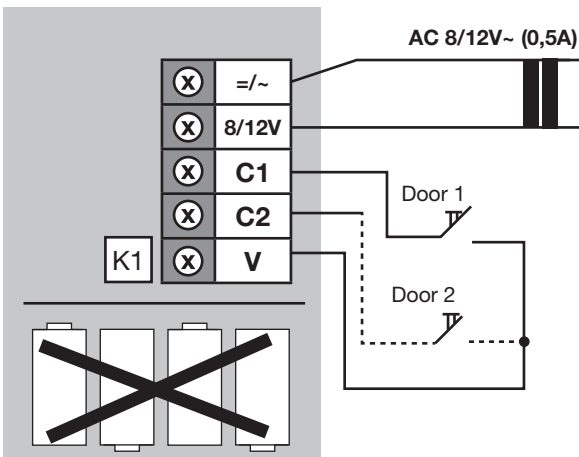
B

Power Supply Battery
Start Sound 8-12V~



C

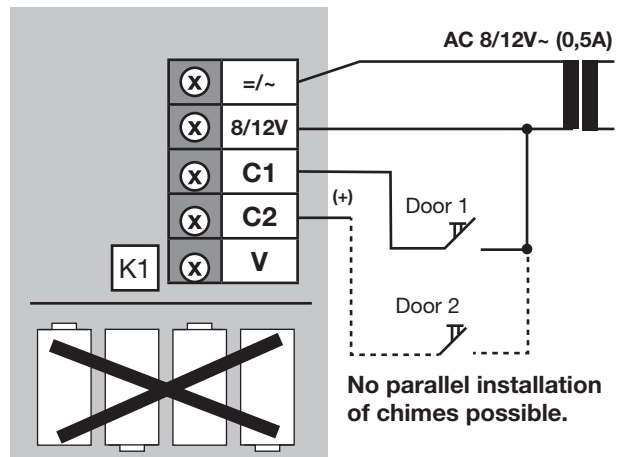
Power Supply =/~8-12V
Start Sound Contact polarity free



Attention no batteries

D

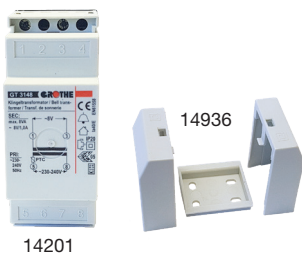
Power Supply =/~8-12V
Start Sound =/~8-12V



No parallel installation of chimes possible.

Attention no batteries

Bell Transformer



Model	Order No	Description
GT 3148	14201	Bell transformer Primary: 230-240V~ (50 Hz) Secondary: 8V (1,0A) 90 x 36 x 55 mm
GT 3139	14039	Bell transformer Primary: 230-240V~ (50 Hz) Secondary: 8/12V~ (1.5/1,0A) 90 x 36 x 55 mm
GT 36 AP	14936	Surface-mount installation set