



Chroma 230 Electronic Chimes

Electronic chimes CROMA 230

The **DELUXE ELECTRONIC CHIME** with a large selection of melodies (17) and additional ALARM function – multi-volt operation up to 230 V makes it particularly attractive.

Functions

- 17 brilliant polyphone sounds (2/3 tone, Westminster, pop, special tone sequence for people with hearing difficulties, classical etc.)
- Switchable from melody to ALARM tone (optimal for use in combination with movement detectors in a shop, for example, when a melody should sound during the day and an ALARM tone at night)
- Volume adjustable up to max. 86 dB(A)
- 2 different paging signals for optimum access control
- SILENCE function (one-button mute function) with LED indicator
- User-friendly easyTIP control unit for all functions (fold-up cover)

Technical data

- Voltages/Currents: see above (ecologically sound operation due to minimal standby losses)
- Max. 86 dB(A)
- Temperature range +5°C to +40°C
- VDE-tested
- Protection rating IP 40

Installation

- Safe ring tone activation with potential-free contact or with 8–12 V~/= or 230 V~(opto-coupler input for max. safety)
- Thanks to integrated transformer, can also be used for mixed installations and renovation (e.g. 230 V power supply and triggering over 8 V of an existing bell transformer)
- Optimum pre-assembly (screw distances correspond to flush-mounting box diameter)
- Parallel circuit to further CROMA chimes or to electromechanical chimes possible

Model	Order No	Description	Colour	Dimensions
CROMA 230A	43175	Multi-volt operation with 8–12 V~/= (250 mA) or 230 V~ (15 mA)	White/Silver	150(H) x 115(W) x 44(D)mm
CROMA 230A -a/w	43190	Multi-volt operation with 8–12 V~/= (250 mA) or 230 V~ (15 mA)	White/Silver	150(H) x 115(W) x 44(D)mm



CROMA 230A



CROMA 230A-a/w

Bell Transformer



14201



14936

Model	Order No	Description
GT 3148	14201	Bell transformer Primary: 230-240V~ (50 Hz) Secondary: 8V (1,0A) 90 x 36 x 55 mm
GT 3139	14039	Bell transformer Primary: 230-240V~ (50 Hz) Secondary: 8/12V~ (1.5/1,0A) 90 x 36 x 55 mm
GT 36 AP	14936	Surface-mount installation set



Chroma 230 Electronic Chimes

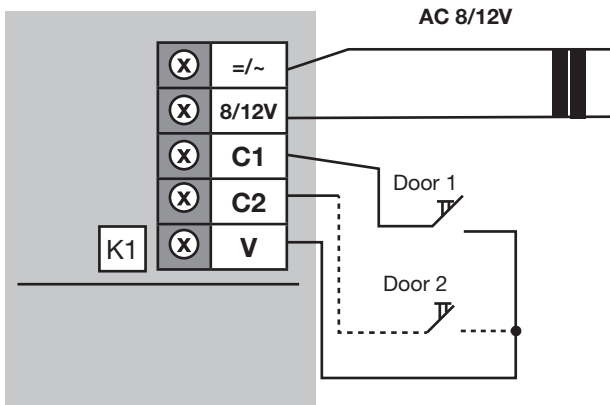


Wiring Diagram

A

Power Supply
=/~8-12V

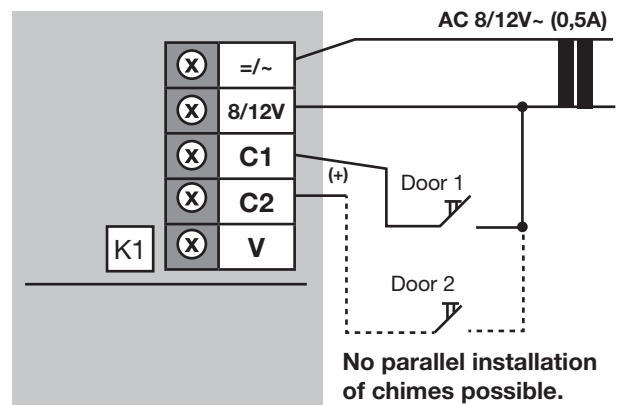
Start Sound
Contact polarity free



B

Power Supply
=/~8-12V

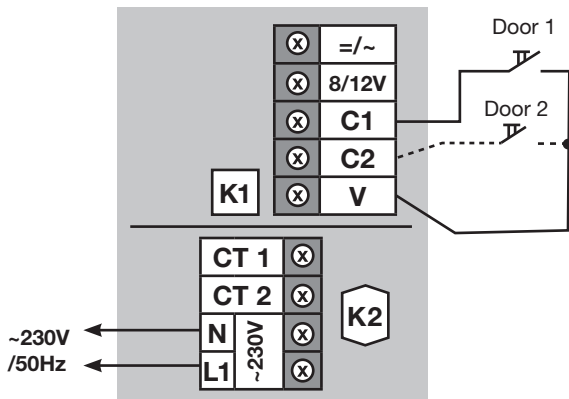
Start Sound
=/~8-12V



C

Power Supply
230V~ (50HZ)

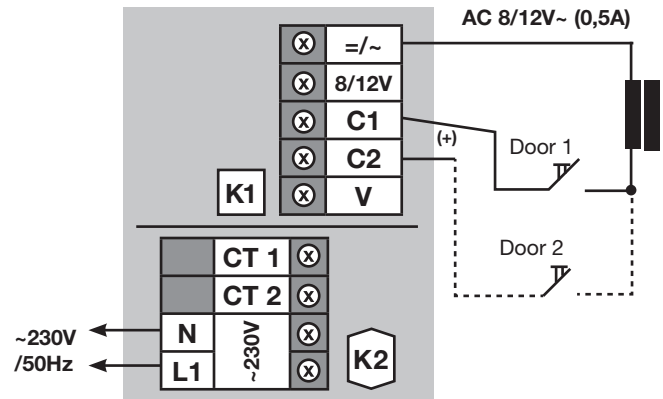
Start Sound
Contact polarity free



D

Power Supply
230V~ (50HZ)

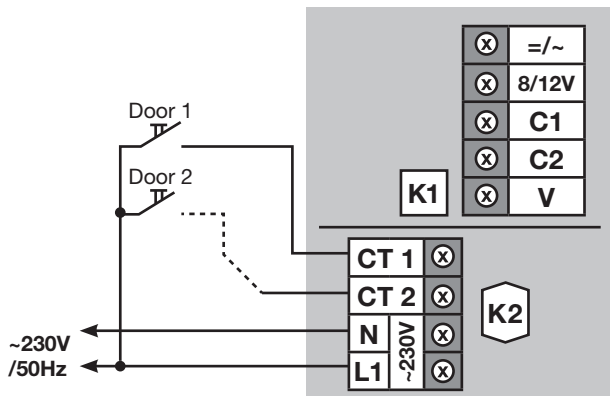
Start Sound
8-12V~



E

Power Supply
230V~ (50HZ)

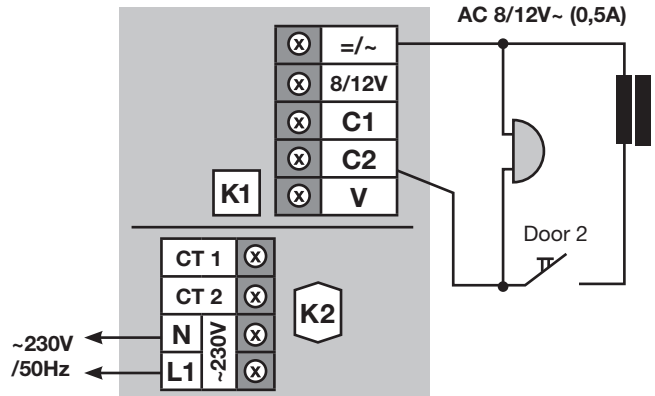
Start Sound
230V~ (50HZ)



F

Power Supply
230V~ (50HZ)

Start Sound
8-12V~



Attention: 230/240V rated bell press only!

Parallel Installation