

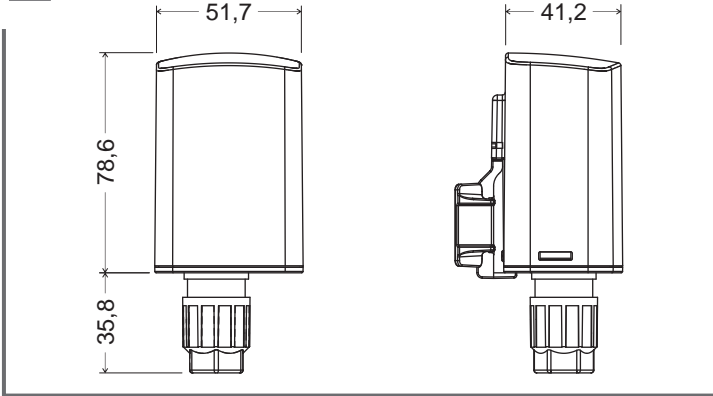
Vemer S.p.A.

I - 32032 Feltre (BL) • Via Camp Lonc, 16
Tel +39 0439 80638 • Fax +39 0439 80619
e-mail: info@vemer.it - web site: www.vemer.it

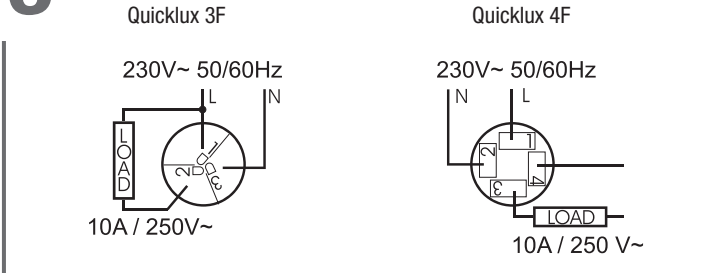
Mod. Quicklux



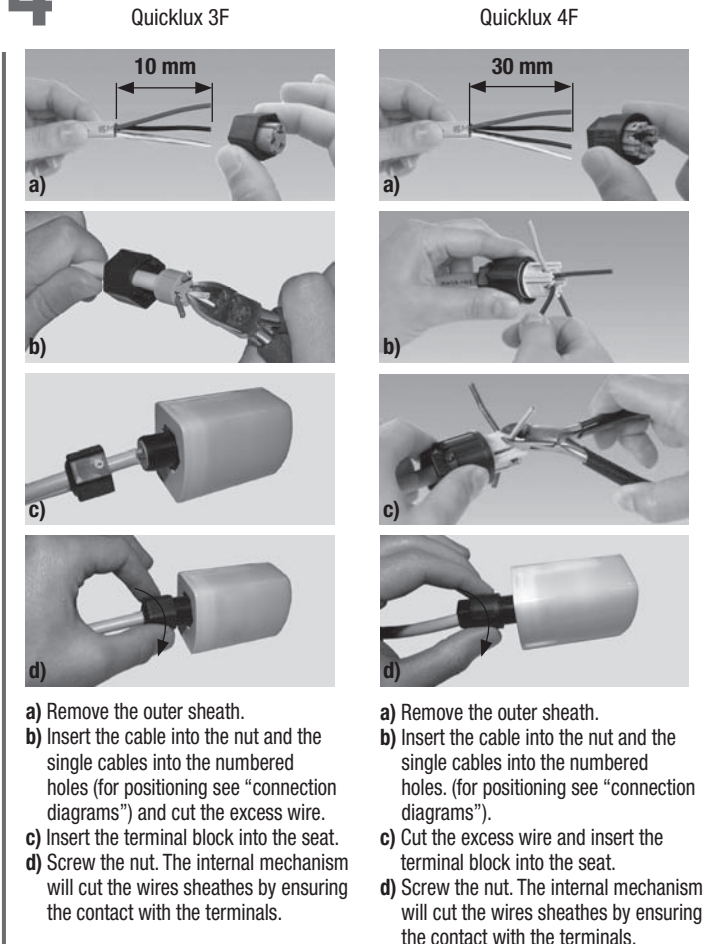
2 DIMENSIONS



3 CONNECTION DIAGRAMS



4 INSTALLATION



1 User Manual

TWILIGHT SWITCHES

⚠ Read all the instructions carefully

Quicklux series twilight devices are electronic control devices with micro disconnections (μ) of opening between contacts (EN60669-2-1) which allow electrical devices switch on (such as lights) when luminosity level falls below a settable threshold.

The innovative wiring system enables an easy and quick installation while the trimmer positioned on the outside bottom allows you to adjust the luminosity threshold without opening the instrument.

- Quicklux 3F is suitable for controlling loads 230Vac powered.
- Quicklux 4F is suitable for controlling loads with any power supply.

Code	Model	Description
VE503900	Quicklux 3F	Twilight switch 3 wires
VE504700	Quicklux 4F	Twilight switch 4 wires

SAFETY WARNINGS

During product installation and operation it is necessary to observe the following instructions:

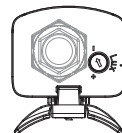
- 1) The instrument must be installed by a qualified person, in strict compliance with the connection diagrams
- 2) Do not power the instrument if any part of it is damaged
- 3) The instrument must be installed and activated in compliance with current electric system standards
- 4) Do not use the instrument for purposes different from the one specified.
- 5) The electrical system in the building in which the instrument is to be installed should have an over-current switch and a protection device
- 6) In case of malfunction do not perform repairs and contact immediately the technical support.
- 7) The instrument can be used in environments with category of overvoltage III and pollution degree 2.
- 8) Before accessing the connection terminals, verify that the leads are not live
- 9) After installation, inaccessibility to the connection terminals without appropriate tools must be guaranteed.

TECHNICAL CHARACTERISTICS

- Power supply: 230 Vac (-15% ÷ +10%) 50/60 Hz
- Absorption: 6VA (1W)
- Wall or pole installation
- Relays capacity: 10A /250 Vac
- Adjustable sensitivity range: 3÷70 lux
- Intervention time: 10 seconds
- Hysteresis on sensitivity: 4 lux
- Wiring
 - Flexible cables section: 0.75 ÷ 1.5 mm²
 - Sheathed cables maximum diameter: 3 mm
 - Outer sheath diameter: 5.6÷9 mm (Quicklux 3F), 7÷10 mm (Quicklux 4F)
- Protection degree: IP54
- Action type: 1B
- Operating temperature: 0 ÷ +50 °C
- Storage temperature: -10 ÷ +60 °C
- Operating humidity: 20÷90% non condensing

5 OPERATION

- Installation can be wall or pole (by using the adapter in the package)
- Avoid installing the instrument in places where dazzle or glare may occur
- Adjust the intervention threshold by the trimmer placed on the bottom side (range 3 ÷ 70 lux)



Trimmer for threshold adjustment

REFERENCE STANDARDS

Compliance with Community Directives:
2006/95/EC (Low Voltage) and 2004/108/EC (E.M.C.)
is declared with reference to the following harmonized standards:
• EN 60669-2-1

Energy Conservation Solutions Pty Ltd

Exclusive Distributor for **VEMER** in Australia
Locations: VIC/TAS, NSW, QLD, ACT, SA/NT & WA

Phone: **1300 306 136**

For contact details visit: www.ecs.net.au