

DATA SHEET

OL 100 LED 5K

Order description

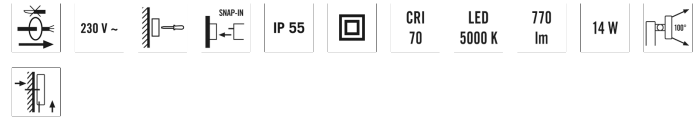
OL 100 LED 5K white

Item number

EL10710001

GTIN

4015120710001



Product description

- LED light
- Design lamp made of die-cast aluminium and plastic
- 14 W, light colour approx. 5000 K white

Technical data

GENERAL	
Conformity	CE, RoHS, WEEE
warranty	3-year
MOUNTING	
Installation type	Surface mounting
Mounting location	Wall
HOUSING	
Dimensions	Length 143 mm x Width 104 mm x Height/Depth 205 mm
Weight	535 g
Material	Aluminium and UV-stabilised plastic
Protection type	IP 55
Permissible ambient temperature	-25 °C...+50 °C
Colour	white, similar to RAL 9016
Terminal	2,5 mm ² / 1,5 mm ²

Glow wire test in accordance with IEC 60695-2-10 650 °C - 30 s

ELECTRICAL VERSION

Protection class	II
Nominal voltage	230 - 230 V / 50 Hz

LIGHT

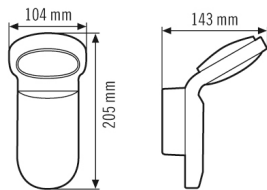
Diffusor	opal
Light emission	direkt
Beam angle	90 °
Flicker factor	<10 %
Rated output	14 W
Luminous Flux (light)	770 lm
Luminous efficacy	55 lm/W
LED service life	L80B10 = 50.000 h
Colour temperature	5000 K
Colour rendering index Ra	> 70
Energy efficiency class	A++ to A

DATA SHEET

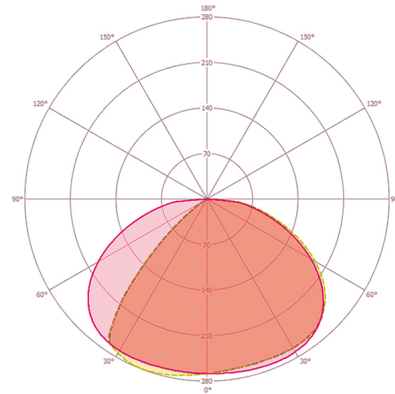
OL 100 LED 5K

Order description	Item number	GTIN
OL 100 LED 5K white	EL10710001	4015120710001

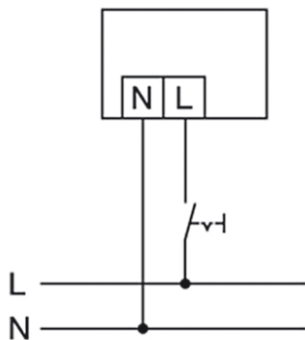
Scale drawing



Light distribution

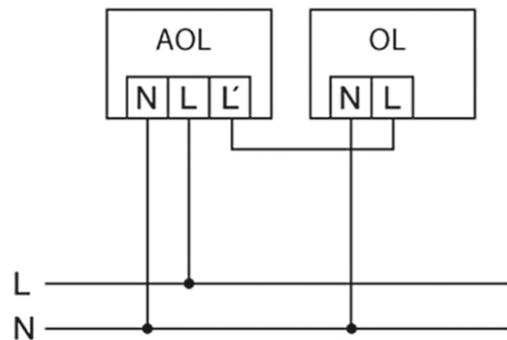


Circuit diagram



Standard operation

Circuit diagram



Controlled by an automatic light, e.g. the AOL 100 or AOL 200

Energy Conservation Solutions Pty Ltd
 Exclusive Distributor for ESYLUX in Australia Locations:
 VIC/TAS, NSW, QLD, ACT, SA/NT & WA
 Phone: **1300 306 136**
 For contact details visit: www.ecs.net.au