

## DATA SHEET

### OL 100 LED 5K

#### Order description

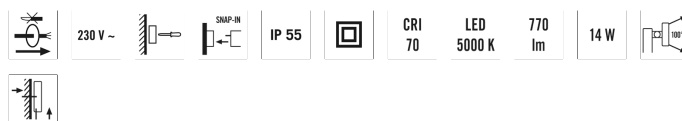
OL 100 LED 5K black

#### Item number

EL10710018

#### GTIN

4015120710018



#### Product description

- LED light
- Design lamp made of die-cast aluminium and plastic
- 14 W, light colour approx. 5000 K white

#### Technical data

GENERAL	
Conformity	CE, RoHS, WEEE
warranty	3-year
MOUNTING	
Installation type	Surface mounting
Mounting location	Wall
HOUSING	
Dimensions	Length 143 mm x Width 104 mm x Height/Depth 205 mm
Weight	532 g
Material	Aluminium and UV-stabilised plastic
Protection type	IP 55
Permissible ambient temperature	-25 °C...+50 °C
Colour	Black, similar to RAL 9005
Terminal	2,5 mm <sup>2</sup> / 1,5 mm <sup>2</sup>

Glow wire test in accordance with IEC 60695-2-10 650 °C - 30 s

#### ELECTRICAL VERSION

Protection class	II
Nominal voltage	230 - 230 V / 50 Hz

#### LIGHT

Diffusor	opal
Light emission	direkt
Beam angle	90 °
Flicker factor	<10 %
Rated output	14 W
Luminous Flux (light)	770 lm
Luminous efficacy	55 lm/W
LED service life	L80B10 = 50.000 h
Colour temperature	5000 K
Colour rendering index Ra	> 70
Energy efficiency class	A++ to A

## DATA SHEET

### OL 100 LED 5K

**Order description**

OL 100 LED 5K black

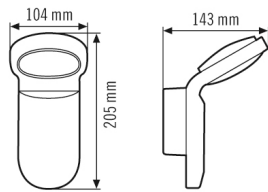
**Item number**

EL10710018

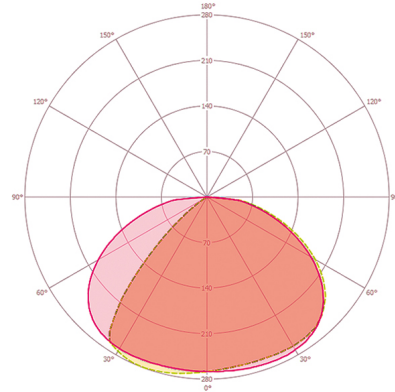
**GTIN**

4015120710018

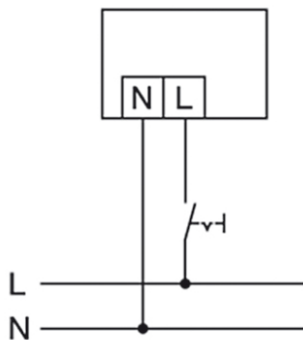
**Scale drawing**



**Light distribution**

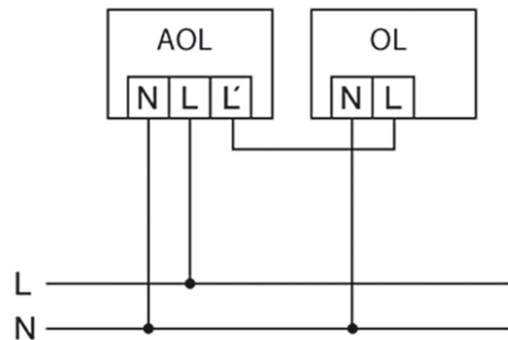


**Circuit diagram**



Standard operation

**Circuit diagram**



Controlled by an automatic light, e.g. the AOL 100 or AOL 200