

## DATA SHEET

### OL 200 LED 5K

#### Order description

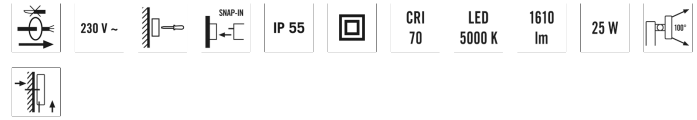
OL 200 LED 5K black

#### Item number

EL10710117

#### GTIN

4015120710117



#### Product description

- LED light
- Design lamp made of die-cast aluminium and plastic
- 25 W, light colour approx. 5000 K white

#### Technical data

GENERAL	
Conformity	CE, RoHS, WEEE
warranty	3-year
MOUNTING	
Installation type	Surface mounting
Mounting location	Wall
HOUSING	
Dimensions	Length 143 mm x Width 184 mm x Height/Depth 205 mm
Weight	747 g
Material	Aluminium and UV-stabilised plastic
Protection type	IP 55
Permissible ambient temperature	-25 °C...+50 °C
Colour	Black, similar to RAL 9005
Terminal	2,5 mm <sup>2</sup> / 1,5 mm <sup>2</sup>

Glow wire test in accordance with IEC 60695-2-10 650 °C - 30 s

#### ELECTRICAL VERSION

Protection class	II
Nominal voltage	230 - 230 V / 50 Hz

#### LIGHT

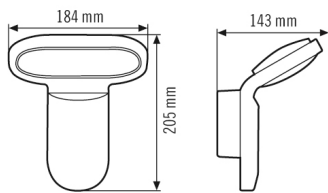
Diffusor	opal
Light emission	direkt
Beam angle	90 °
Flicker factor	<10 %
Rated output	25 W
Luminous Flux (light)	1510 lm
Luminous efficacy	60 lm/W
LED service life	L80B10 = 50.000 h
Colour temperature	5000 K
Colour rendering index Ra	> 70
Energy efficiency class	A++ to A

## DATA SHEET

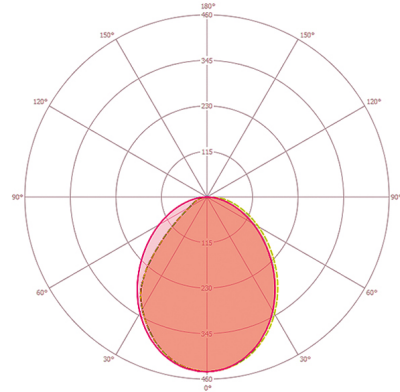
### OL 200 LED 5K

Order description	Item number	GTIN
OL 200 LED 5K black	EL10710117	4015120710117

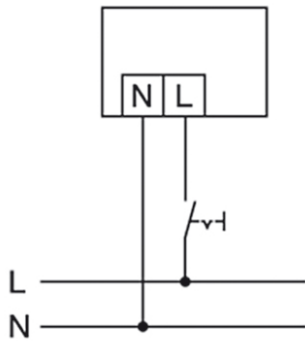
#### Scale drawing



#### Light distribution

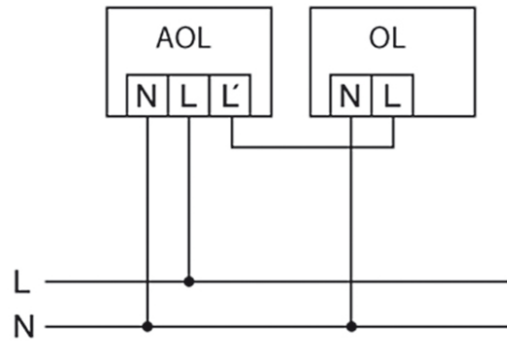


#### Circuit diagram



Standard operation

#### Circuit diagram



Controlled by an automatic light, e.g. the AOL 100 or AOL 200