

DATA SHEET

OFR 350 LED 5K

Order description

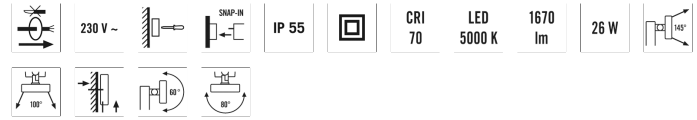
OFR 350 LED 5K white

Item number

EL10710308

GTIN

4015120710308



Product description

- LED spotlight
- Design lamp made of aluminum extruded profile and plastic
- 26 W, light colour approx. 5000 K white
- Rear Projection technology

Technical data

| GENERAL | |
|---------------------------------|--|
| Conformity | CE, RoHS, WEEE |
| warranty | 3-year |
| MOUNTING | |
| Installation type | Surface mounting |
| Mounting location | Wall |
| HOUSING | |
| Dimensions | Length 176 mm x Width 137 mm x Height/Depth 198 mm |
| Weight | 934 g |
| Material | Aluminium and UV-stabilised plastic |
| Protection type | IP 55 |
| Permissible ambient temperature | -25 °C...+50 °C |
| Colour | white, similar to RAL 9016 |
| Terminal | 2,5 mm ² / 1,5 mm ² |

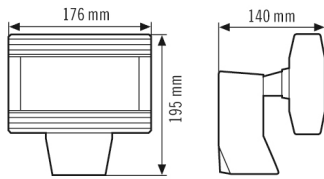
| ELECTRICAL VERSION | |
|---------------------------|---------------------|
| Protection class | II |
| Nominal voltage | 230 - 230 V / 50 Hz |
| LIGHT | |
| Diffusor | opal |
| Light emission | direkt |
| Beam angle | 120 ° |
| Flicker factor | <10 % |
| Rated output | 26 W |
| Luminous Flux (light) | 1670 lm |
| Luminous efficacy | 64 lm/W |
| LED service life | L80B10 = 50.000 h |
| Colour temperature | 5000 K |
| Colour rendering index Ra | > 70 |
| Energy efficiency class | A++ to A |

DATA SHEET

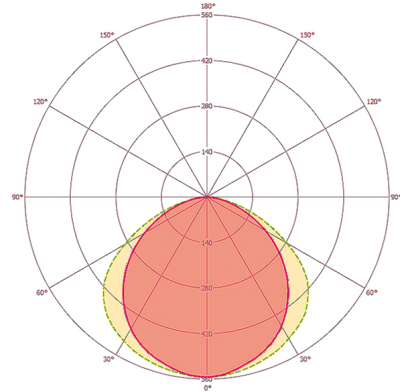
OFR 350 LED 5K

| Order description | Item number | GTIN |
|----------------------|-------------|---------------|
| OFR 350 LED 5K white | EL10710308 | 4015120710308 |

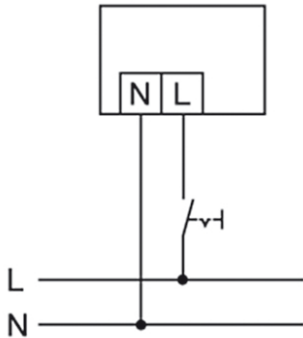
Scale drawing



Light distribution

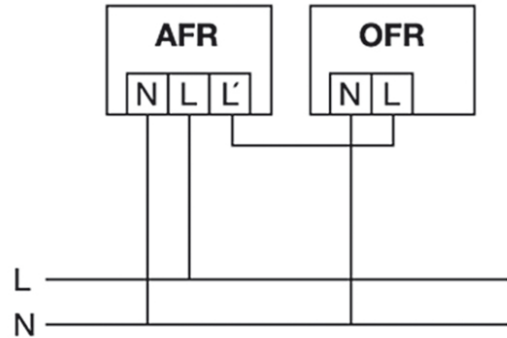


Circuit diagram



Standard operation

Circuit diagram



Activation of a maximum of 6 OFR 250 lights or 4 OFR 350 lights

Energy Conservation Solutions Pty Ltd

Exclusive Distributor for ESYLUX in Australia Locations:

VIC/TAS, NSW, QLD, ACT, SA/NT & WA

Phone: 1300 306 136

For contact details visit: www.ecs.net.au