

DATA SHEET

OL 100 LED 3K

Order description

OL 100 LED 3K black

Item number

EL10710711

GTIN

4015120710711



Product description

- LED light
- Design lamp made of die-cast aluminium and plastic
- 14 W, light colour approx. 3000 K warm white

Technical data

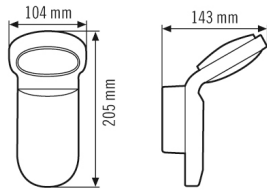
GENERAL	
Conformity	CE, RoHS, WEEE
warranty	3-year
MOUNTING	
Installation type	Surface mounting
Mounting location	Wall
HOUSING	
Dimensions	Length 143 mm x Width 104 mm x Height/Depth 205 mm
Weight	526 g
Material	Aluminium and UV-stabilised plastic
Protection type	IP 55
Permissible ambient temperature	-25 °C...+50 °C
Colour	Black, similar to RAL 9005
Terminal	2,5 mm ² / 1,5 mm ²
Glow wire test in accordance with IEC 60695-2-10	
650 °C - 30 s	
ELECTRICAL VERSION	
Protection class	II
Nominal voltage	230 - 230 V / 50 Hz
LIGHT	
Diffusor	opal
Light emission	direkt
Beam angle	90 °
Flicker factor	<10 %
Rated output	14 W
Luminous Flux (light)	750 lm
Luminous efficacy	53 lm/W
LED service life	L80B10 = 50.000 h
Colour temperature	3000 K
Colour rendering index Ra	> 80
Energy efficiency class	A++ to A

DATA SHEET

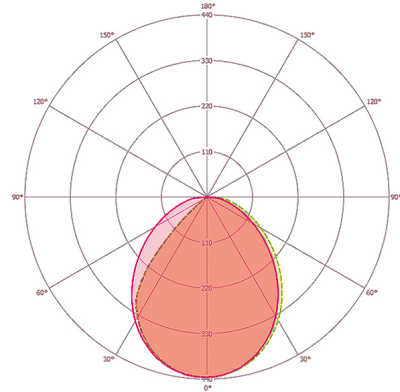
OL 100 LED 3K

Order description	Item number	GTIN
OL 100 LED 3K black	EL10710711	4015120710711

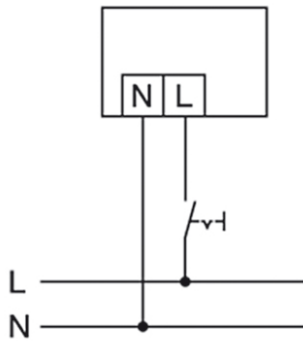
Scale drawing



Light distribution

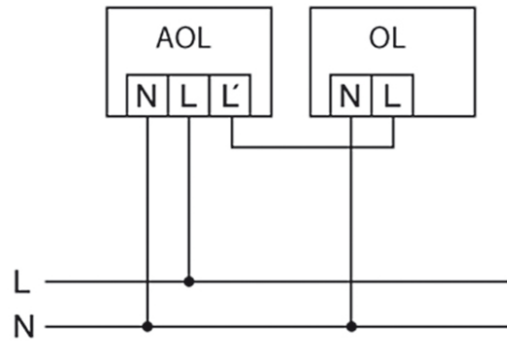


Circuit diagram



Standard operation

Circuit diagram



Controlled by an automatic light, e.g. the AOL 100 or AOL 200