

DATA SHEET

AFR 350 LED 5K

Order description

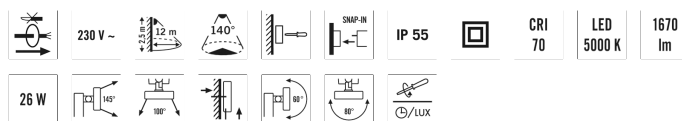
AFR 350 LED 5K black

Item number

EL10750311

GTIN

4015120750311



Product description

- Automatic floodlight with built-in motion detector
- Design lamp made of die-cast aluminium and plastic
- 26 W, light colour approx. 5000 K white
- Rear Projection technology
- 140° field of detection, range up to 12 m at an installation height of 2.5 m

Technical data

GENERAL	
Conformity	CE, RoHS, WEEE
warranty	3-year
MOUNTING	
Installation type	Surface mounting
Mounting location	Wall
HOUSING	
Dimensions	Length 176 mm x Width 137 mm x Height/Depth 216 mm
Weight	967 g
Material	Aluminium and UV-stabilised plastic
Protection type	IP 55
Permissible ambient temperature	-25 °C...+50 °C
Colour	Black, similar to RAL 9005
Terminal	2,5 mm ² / 1,5 mm ²
ELECTRICAL VERSION	
Protection class	II

Nominal voltage	230 - 230 V / 50 Hz
Stand-by consumption	0.5 W
LIGHT	
Diffusor	transparent
Light emission	direkt
Beam angle	120 °
Flicker factor	<10 %
Rated output	26 W
Luminous Flux (light)	1670 lm
Luminous efficacy	64 lm/W
LED service life	L80B10 = 50.000 h
Colour temperature	5000 K
Colour rendering index Ra	> 70
Energy efficiency class	A++ to A
SENSORS	
Detection angle	140°
Detection range diagonally	12 m
Field of detection	44 m ²
Recommended installation height	2,5 m

DATA SHEET

AFR 350 LED 5K

Order description

AFR 350 LED 5K black

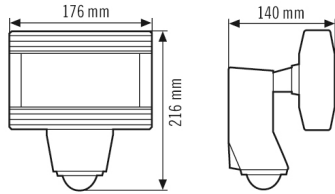
Item number

EL10750311

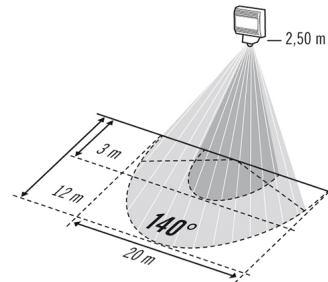
GTIN

4015120750311

Scale drawing

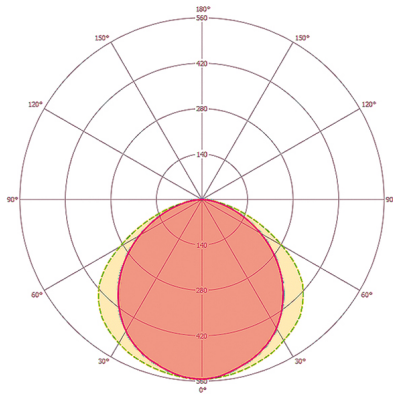


Field of detection

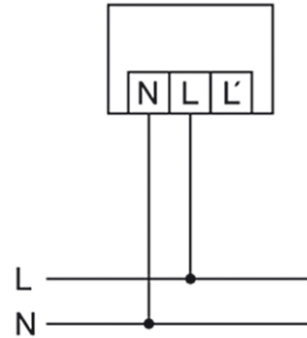


- Head-on to detector
- Passage area / diagonally to detector

Light distribution

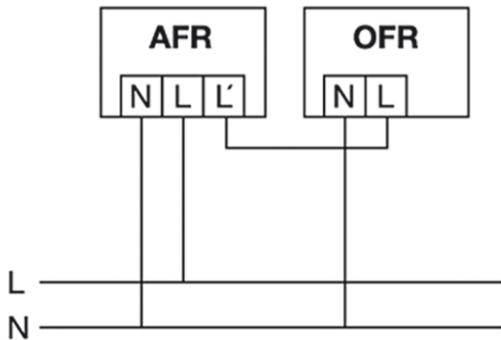


Circuit diagram



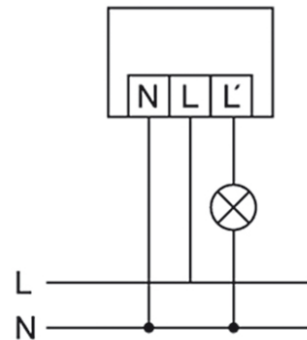
Standard operation

Circuit diagram



Activation of a maximum of 6 OFR 250 lights or 4 OFR 350 lights

Circuit diagram



Standard operation with additional connection of external loads

Energy Conservation Solutions Pty Ltd

Exclusive Distributor for ESYLUX in Australia Locations:

VIC/TAS, NSW, QLD, ACT, SA/NT & WA

Phone: 1300 306 136

For contact details visit: www.ecs.net.au