

DATA SHEET

AOL 200 LED 3K

Order description

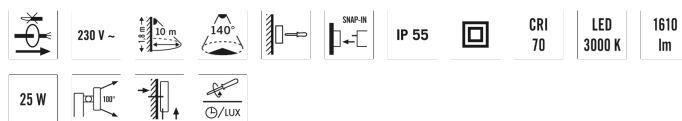
AOL 200 LED 3K black

Item number

EL10750816

GTIN

4015120750816



Product description

- Automatic light with built-in motion detector
- Design lamp made of die-cast aluminium and plastic
- 25 W, light colour approx. 3000 K white
- 140° field of detection, range up to 10 m at an installation height of 1.8 m

Technical data

GENERAL	
Conformity	CE, RoHS, WEEE
warranty	3-year
MOUNTING	
Installation type	Surface mounting
Mounting location	Wall
HOUSING	
Dimensions	Length 143 mm x Width 184 mm x Height/Depth 205 mm
Weight	775 g
Material	Aluminium and UV-stabilised plastic
Protection type	IP 55
Permissible ambient temperature	-25 °C...+50 °C
Colour	Black, similar to RAL 9005
Terminal	2,5 mm ² / 1,5 mm ²
Glow wire test in accordance with IEC 60695-2-10	650 °C - 30 s
ELECTRICAL VERSION	
Protection class	II

Nominal voltage	230 - 230 V / 50 Hz
Stand-by consumption	0.5 W
LIGHT	
Diffusor	opal
Light emission	direkt
Beam angle	90 °
Flicker factor	<10 %
Rated output	25 W
Luminous Flux (light)	1430 lm
Luminous efficacy	57 lm/W
LED service life	L80B10 = 50.000 h
Colour temperature	3000 K
Colour rendering index Ra	> 80
Energy efficiency class	A++ to A
SENSORS	
Detection angle	140°
Detection range diagonally	10 m
Field of detection	31 m ²
Recommended installation height	1,8 m

DATA SHEET

AOL 200 LED 3K

Order description

AOL 200 LED 3K black

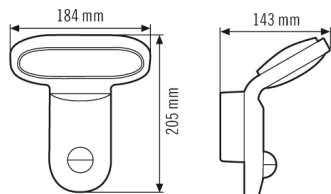
Item number

EL10750816

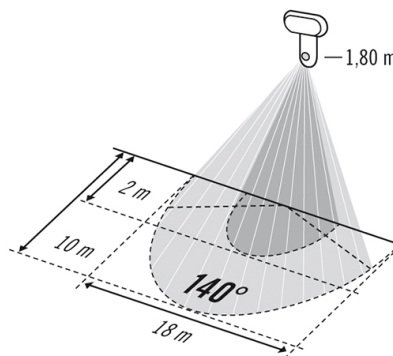
GTIN

4015120750816

Scale drawing

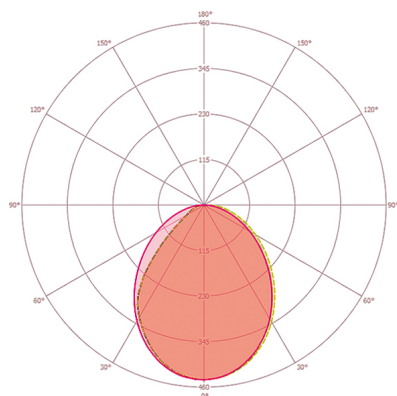


Field of detection

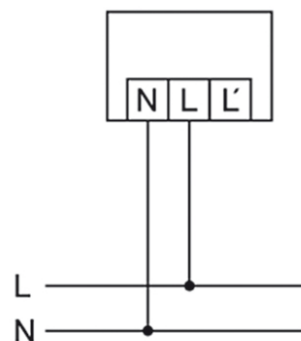


- Head-on to detector
- Passage area / diagonally to detector

Light distribution

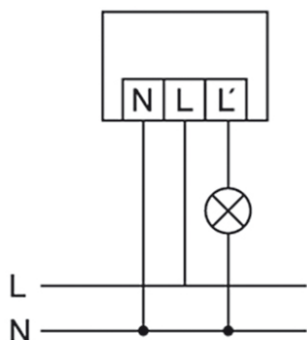


Circuit diagram



Standard operation

Circuit diagram



Standard operation with additional connection of external loads

Energy Conservation Solutions Pty Ltd

Exclusive Distributor for ESYLUX in Australia Locations:

VIC/TAS, NSW, QLD, ACT, SA/NT & WA

Phone: 1300 306 136

For contact details visit: www.ecs.net.au