

## DATA SHEET

### AFL SUN LED 10W 3K black

#### Order description

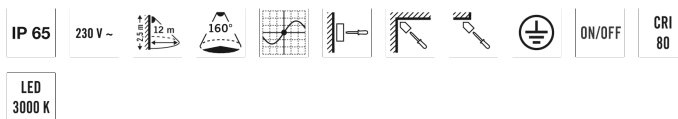
AFL SUN LED 10W 3K BK

#### Item number

EL10810039

#### GTIN

4015120810039



#### Product description

- LED floodlight with high-grade die-cast aluminium housing and integrated motion detector with 160° field of detection for convenient lighting control
- 10 W LED luminous efficiency corresponds to 57 W light bulb, light colour approx. 3000 K white
- High light yield of 80 lm/W, excellent colour rendering index Ra 80

#### Technical data

GENERAL	
Conformity	CE, RoHS, WEEE
warranty	3-year
MOUNTING	
Installation type	Surface mounting
Mounting location	Wall
HOUSING	
Dimensions	Length 210 mm x Width 133 mm x Height/Depth 75 mm
Weight	692 g
Material	Aluminium and UV-stabilised plastic
Protection type	IP 65
Permissible ambient temperature	-25 °C...+40 °C
Colour	Black, similar to RAL 9005
Terminal	2,5 mm <sup>2</sup> / 1,5 mm <sup>2</sup>
ELECTRICAL VERSION	
Protection class	I
Nominal voltage	230 - 230 V / 50 Hz
Stand-by consumption	0.5 W

LIGHT	
Diffusor	transparent
Light emission	direkt
Beam angle	95 °
Flicker factor	<20 %
Rated output	9 W
Luminous Flux (light)	950 lm
Luminous efficacy	105 lm/W
LED service life	L80B50 = 50.000 h
Colour temperature	3000 K
Colour rendering index Ra	> 80
Energy efficiency class	A++ to A
SENSORS	
Detection angle	160°
Detection range diagonally	12 m
Field of detection	50 m <sup>2</sup>
Range adjustment	mechanically with included cut to size lens mask
Recommended installation height	2,5 m
Max. mounting height	4 m
Number of parallel switchable detectors	10

## DATA SHEET

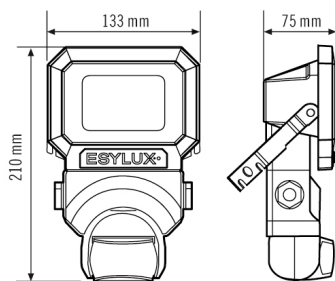
### AFL SUN LED 10W 3K black

Order description	Item number	GTIN
AFL SUN LED 10W 3K BK	EL10810039	4015120810039

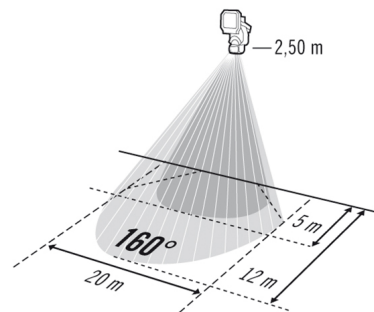
#### Accessories

Product designation	Item number	GTIN
Wall Arm 700 BK	EL10810534	4015120810534
Ground Spike BK	EL10810558	4015120810558

#### Scale drawing

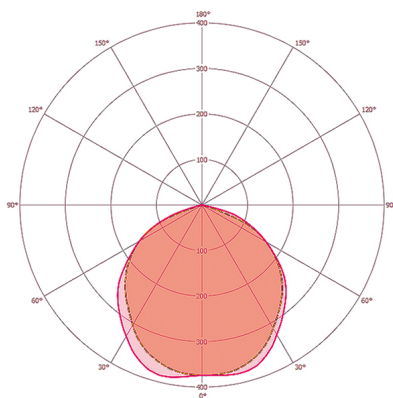


#### Field of detection



- Head-on to detector
- Passage area / diagonally to detector

#### Light distribution



#### Energy Conservation Solutions Pty Ltd

Exclusive Distributor for ESYLUX in Australia Locations:

VIC/TAS, NSW, QLD, ACT, SA/NT & WA

Phone: 1300 306 136

For contact details visit: [www.ecs.net.au](http://www.ecs.net.au)