

DATA SHEET

Order description

IDLELS06010830WH001-1000

Item number

E010300127

GTIN

4015120300127

110 V - 230 V ~	IP 40	CQS 80 - 85	CRI 80	LED 3000 K
--------------------	-------	----------------	-----------	---------------



Product description

- LED downlight, 3000K with opal cover (diffuser), 9W, for ceiling mounting without additional accessories
- High light quality and system performance
- Operating device 1-10V, included

Technical data

GENERAL	
Conformity	CE, RoHS, WEEE
warranty	5-year
MOUNTING	
Installation type	Recessed mounting
Mounting location	Ceiling
Installation dimension	Installation depth 27 mm, Ø 165 mm
HOUSING	
Dimensions	Height/Depth 27 mm, Ø 180 mm
Weight	535 g
Material	powder-coated aluminium
Protection type	IP 40 / IP 44 below the ceiling (built-in)
Permissible ambient temperature	-20 °C...+40 °C
Colour	white, similar to RAL 9003
Glow wire test in accordance with IEC 60695-2-10	650 °C - 30 s

ELECTRICAL VERSION

Protection class	II
Nominal voltage	110 - 240 V / 50 - 60 Hz

LIGHT

Diffusor	opal
Light emission	direkt
Beam angle	120 °
Unified Glare Rating	≤ 25
Flicker factor	<3 %
Rated output	9 W
Luminous Flux (light)	800 lm
Luminous efficacy	88 lm/W
LED service life	L80B50 = 35.000 h
Colour temperature	3000 K
Colour rendering index Ra	> 80
Color Quality Scale	> 80
Energy efficiency class	A++ to A

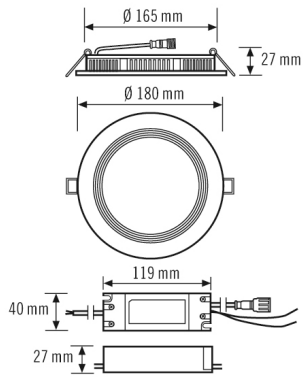
Accessories

Product designation	Item number	GTIN
Indoor downlight ring 165	E010300271	4015120300271
ELSA 165 surface mounting frame WHITE	E010300882	4015120300882
Indoor downlight cable, 1 m	E010300295	4015120300295

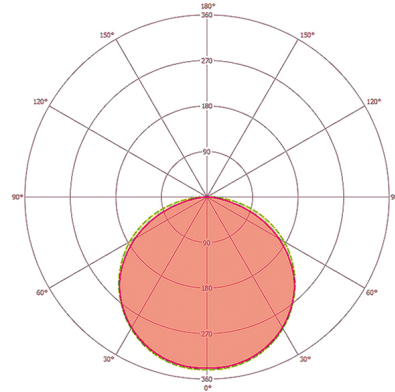
DATA SHEET

Order description	Item number	GTIN
IDLELS06010830WH001-1000	E010300127	4015120300127

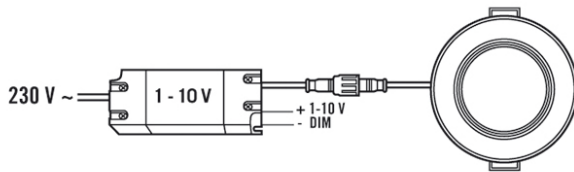
Scale drawing



Light distribution



Circuit diagram



Standard operation

Energy Conservation Solutions Pty Ltd
Exclusive Distributor for ESYLUX in Australia Locations:
VIC/TAS, NSW, QLD, ACT, SA/NT & WA
Phone: **1300 306 136**
For contact details visit: www.ecs.net.au