

DATA SHEET

| Order description | Item number | GTIN |
|---------------------------|-------------|---------------|
| IDLELS32009830WH00DALI000 | E010300400 | 4015120300400 |



Product description

- LED down light, 9 W, for recessed ceiling mounting with opal (MILKY) diffuser
- Installation dimensions for recessed ceiling mounting 125x125mm
- Integrated ballast (DALI), installation without further accessories
- High-quality housing, aluminium lamp body, white powder-coated (RAL 9003)
- Colour temperature 3000 K

Technical data

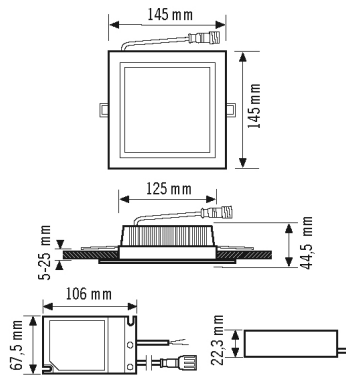
| GENERAL | |
|--|---|
| Conformity | CE, RoHS, WEEE |
| warranty | 5-year |
| MOUNTING | |
| Installation type | Recessed mounting |
| Mounting location | Ceiling |
| Installation dimension | Installation length 125 mm x Installation width 125 mm x Installation depth 42,5 mm |
| HOUSING | |
| Dimensions | Length 145 mm x Width 145 mm x Height/Depth 44,5 mm |
| Weight | 531 g |
| Material | powder-coated aluminium |
| Protection type | IP 20 / IP 44 below the ceiling (built-in) |
| Permissible ambient temperature | -20 °C...+40 °C |
| Colour | white, similar to RAL 9003 |
| Glow wire test in accordance with IEC 60695-2-10 | 650 °C - 30 s |

| ELECTRICAL VERSION | |
|---------------------------|--------------------------|
| Protection class | III |
| Nominal voltage | 110 - 240 V / 50 - 60 Hz |
| LIGHT | |
| Diffusor | opal |
| Light emission | direkt |
| Beam angle | 100 ° |
| Unified Glare Rating | ≤ 25 |
| Flicker factor | <3 % |
| Rated output | 10 W |
| Luminous Flux (light) | 700 lm |
| Luminous efficacy | 70 lm/W |
| LED service life | L80B50 = 35.000 h |
| Colour temperature | 3000 K |
| Colour rendering index Ra | > 80 |
| Colour tolerance | SDCM <3 |
| Color Quality Scale | > 85 |
| Energy efficiency class | A++ to A |

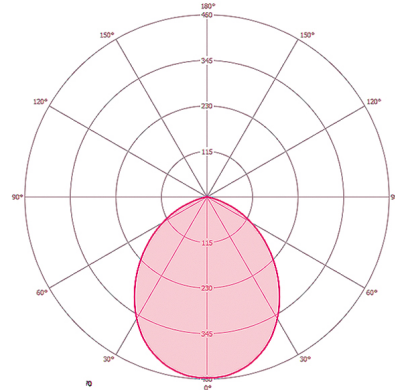
DATA SHEET

| Order description | Item number | GTIN |
|---------------------------|-------------|---------------|
| IDLELS32009830WHOODALI000 | E010300400 | 4015120300400 |

Scale drawing



Light distribution



Energy Conservation Solutions Pty Ltd
Exclusive Distributor for ESYLUX in Australia Locations:
VIC/TAS, NSW, QLD, ACT, SA/NT & WA
Phone: **1300 306 136**
For contact details visit: www.ecs.net.au