

DATA SHEET

Order description

FLOISB45045840BKCADIMM001

Item number

E010306037

GTIN

4015120306037



Product description

- LED floor lamp, 45 W LED output, for workplace-oriented lighting in offices and conference rooms with non-glare direct component and indirect light
- Simple, timeless design
- Motion controlled, can be overridden via button and remote control (Mobil-RCi-M)
- High-quality housing, aluminium lamp body, black-grey powder-coated
- Colour temperature 4000 K
- Excellent light quality, no flickering

Technical data

| GENERAL | |
|---------------------------------|------------------------------------|
| Conformity | CE, RoHS, WEEE |
| warranty | 5-year |
| MOUNTING | |
| Installation type | Free standing |
| Mounting location | Floor |
| HOUSING | |
| Weight | 20000 g |
| Material | powder-coated aluminium |
| Surface finish | Powder coated |
| Protection type | IP 20 |
| Permissible ambient temperature | 0 °C...+40 °C |
| Colour | Charcoal grey, similar to RAL 7021 |
| ELECTRICAL VERSION | |
| Protection class | I |
| Nominal voltage | 230 - 230 V / 50 Hz |
| Stand-by consumption | < 0.1 W |

| LIGHT | |
|----------------------------|-------------------------------|
| Diffusor | micro-prismatic / transparent |
| Light emission | direkt/indirekt |
| Beam angle | 90 ° |
| Unified Glare Rating | ≤ 19 |
| Flicker factor | <3 % |
| Rated output | 47 W |
| Luminous Flux (light) | 6300 lm |
| Luminous efficacy | 133 lm/W |
| LED service life | L80B10 = 50.000 h |
| Colour temperature | 4000 K |
| Colour rendering index Ra | > 80 |
| Colour tolerance | SDCM <3 |
| Color Quality Scale | > 85 |
| Energy efficiency class | A++ to A |
| SENSORS | |
| Detection range diagonally | 4 m |

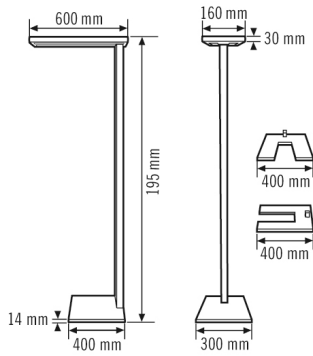
DATA SHEET

| Order description | Item number | GTIN |
|---------------------------|-------------|---------------|
| FLOISB45045840BKCADIMM001 | E010306037 | 4015120306037 |

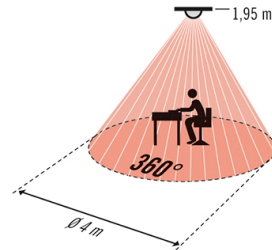
Accessories

| Product designation | Item number | GTIN |
|-------------------------|-------------|---------------|
| Mobil-PDi/MDi-universal | EP10433993 | 4015120433993 |
| ESY-Pen | EP10425356 | 4015120425356 |
| Mobil ISABELLE | E010306082 | 4015120306082 |

Scale drawing

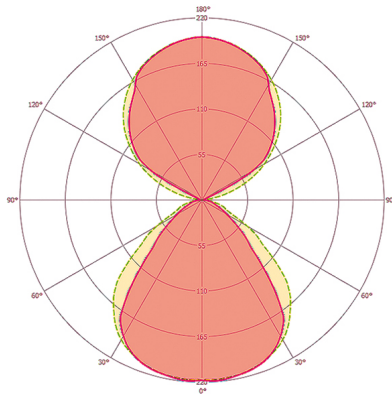


Field of detection



■ Operating area approx. Ø 4 m

Light distribution



Energy Conservation Solutions Pty Ltd
 Exclusive Distributor for ESYLUX in Australia Locations:
 VIC/TAS, NSW, QLD, ACT, SA/NT & WA
 Phone: **1300 306 136**
 For contact details visit: www.ecs.net.au