

## DATA SHEET

### Order description

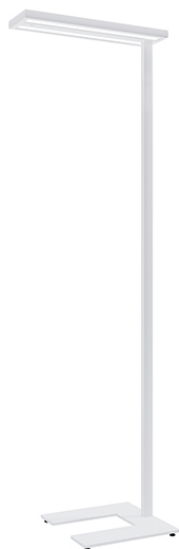
FLOISB46045840WHCADIMM001

### Item number

E010306051

### GTIN

4015120306051



### Product description

- LED floor lamp, 45 W LED output, for workplace-oriented lighting in offices and conference rooms with non-glare direct component and indirect light
- Simple, timeless design
- Motion controlled, can be overridden via button and remote control (Mobil-RCi-M)
- High-quality housing, aluminium lamp body, white powder-coated
- Colour temperature 4000 K
- Excellent light quality, no flickering

### Technical data

GENERAL	
Conformity	CE, RoHS, WEEE
warranty	5-year
MOUNTING	
Installation type	Free standing
Mounting location	Floor
HOUSING	
Weight	20000 g
Material	powder-coated aluminium
Surface finish	Powder coated
Protection type	IP 20
Permissible ambient temperature	0 °C...+40 °C
Colour	white, similar to RAL 9003
ELECTRICAL VERSION	
Protection class	I
Nominal voltage	230 - 230 V / 50 Hz
Stand-by consumption	< 0.1 W

LIGHT	
Diffusor	micro-prismatic / transparent
Light emission	direkt/indirekt
Beam angle	90 °
Unified Glare Rating	≤ 19
Flicker factor	<3 %
Rated output	47 W
Luminous Flux (light)	6300 lm
Luminous efficacy	133 lm/W
LED service life	L80B10 = 50.000 h
Colour temperature	4000 K
Colour rendering index Ra	> 80
Colour tolerance	SDCM <3
Color Quality Scale	> 85
Energy efficiency class	A++ to A
SENSORS	
Detection range diagonally	4 m

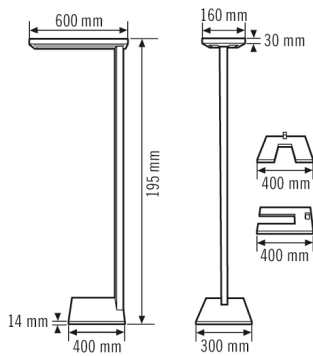
## DATA SHEET

Order description	Item number	GTIN
FLOISB46045840WHCADIMM00I	E010306051	4015120306051

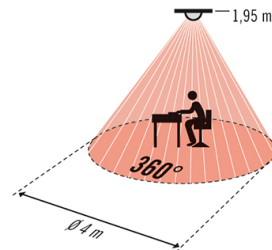
### Accessories

Product designation	Item number	GTIN
Mobil-PDi/MDi-universal	EP10433993	4015120433993
ESY-Pen	EP10425356	4015120425356
Mobil ISABELLE	E010306082	4015120306082

### Scale drawing

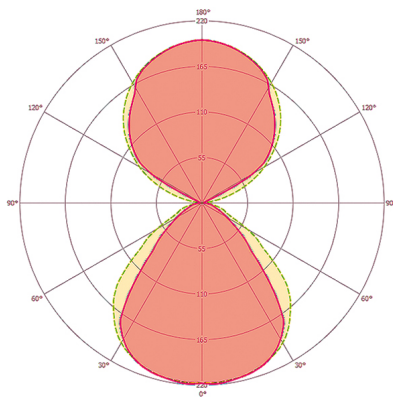


### Field of detection



■ Operating area approx. Ø 4 m

### Light distribution



**Energy Conservation Solutions Pty Ltd**

Exclusive Distributor for ESYLUX in Australia Locations:

VIC/TAS, NSW, QLD, ACT, SA/NT & WA

Phone: **1300 306 136**

For contact details visit: [www.ecs.net.au](http://www.ecs.net.au)