



KANOLED

69 W Gas Stations LED Lighting Luminaires

Order Code : 3115292
Product Code : KNP 069A 57KC00 WL 8K68



Product Data

Standard Features

Housing	: Aluminium injection housing
Diffuser	: Sanded glass
Optic	: Wide angle lens
IP Grade	: IP66
Installation	: Under the canopy
Light Source	: Power LED

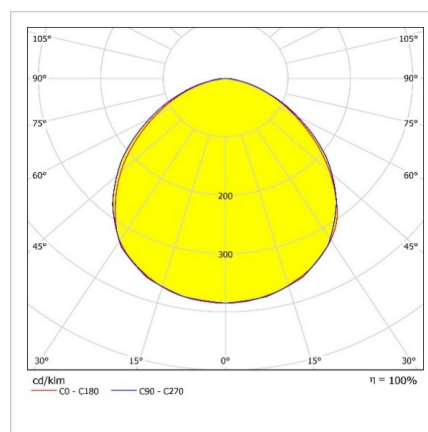
Optical & Electrical Features

Power Consumption	: 68.8 W
Final Luminous Flux	: 8682 lm
Efficacy	: 126.1 lm/W
Input Voltage	: 220-240 V AC
Frequency	: 50-60 Hz
Power Factor	: > 0,9
Surge Transient Protection	: 4 kV
Drive Current	: 1450 mA
Correlated Color Temperature	: 5700K
Color Rendering Index	: >70

Other Features & Conditions

Operating Temperature Range	: -25 °C/+45 °C
Impact Resistance	: IK 07
Led Life Time - L70	: 60.000 hours @Ta= 45 °C

Photometric Curve



Optional Features

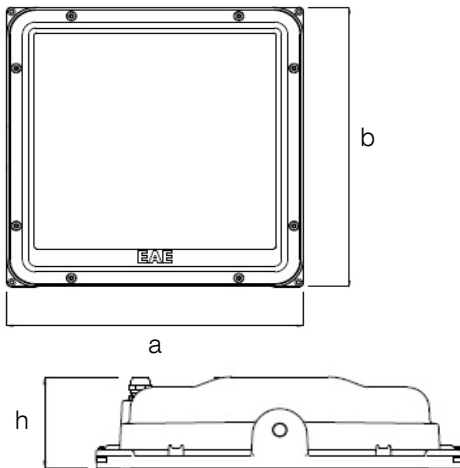
Diffuser Type : Transparent glass



KANOLED

69 W Gas Stations LED Lighting Luminaires

3115292 KNP 069A 57KC00 WL 8K68



Dimensions (mm)

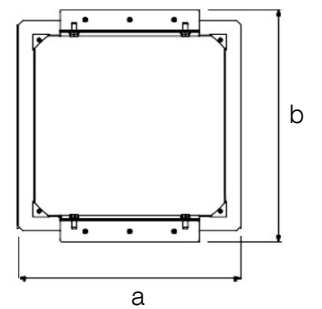
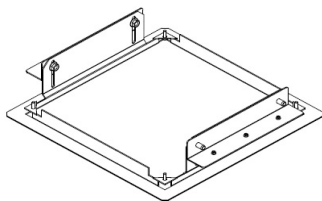
	a	b	h
Standard	336	336	88

Weight (kg)

Standard	6,5
----------	-----



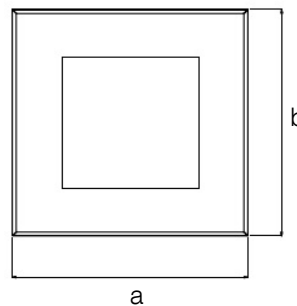
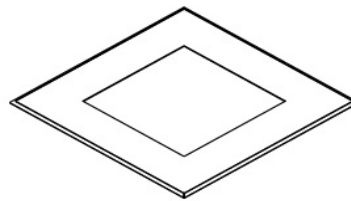
Accessories



Metal Suspending Ceiling Mounting Set

Ordering Code : 3115524

a	b	h
420	420	92,5



Covering Flange

Ordering Code : 3058683

a	b
620	620



Energy Conservation Solutions

'our promise, you'll save'

Energy Conservation Solutions Pty Ltd
Exclusive Distributor for ESYLUX in Australia

Unit 9, 103 Lewis Road, Knoxfield Victoria 3180
Phone: 1300 306 136 Fax: 03 9801 2450 Email: info@ecs.net.au

Locations: VIC/TAS, NSW, QLD, ACT, SA/NT, WA

www.ecs.net.au