



Order Code : 3106457
Product Code : GPR 182Z 40CM00 AS 25K9

Product Data

Standard Features

| | |
|--------------|---|
| Housing | : SW 306G painted aluminium injection housing |
| Diffuser | : Tempered transparent glass |
| Optic | : Asymmetric reflector |
| IP Grade | : IP66 |
| Installation | : Floor, wall, pole mounted |
| Light Source | : Power LED |

Optical & Electrical Features

| | |
|------------------------------|----------------|
| Power Consumption | : 182.4 W |
| Final Luminous Flux | : 25950 lm |
| Efficacy | : 142.2 lm/W |
| Input Voltage | : 220-240 V AC |
| Frequency | : 50-60 Hz |
| Power Factor | : > 0,9 |
| Surge Transient Protection | : 4 kV |
| Drive Current | : 700 mA |
| Correlated Color Temperature | : 4000K |
| Color Rendering Index | : >70 |

Other Features & Conditions

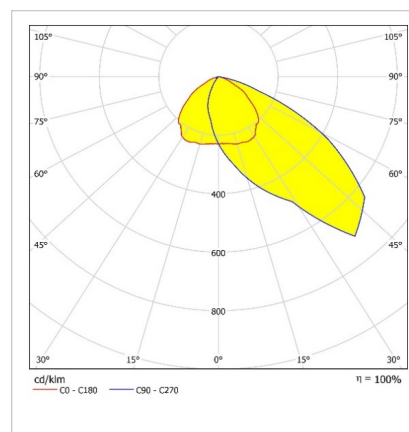
| | |
|-----------------------------|-----------------------------|
| Operating Temperature Range | : -40 °C/+45 °C |
| Impact Resistance | : IK09 |
| Led Life Time - L70 | : > 60.000 hours @Ta= 45 °C |

GPRONA

182 W Front and Area LED Lighting Luminaires



Photometric Curve



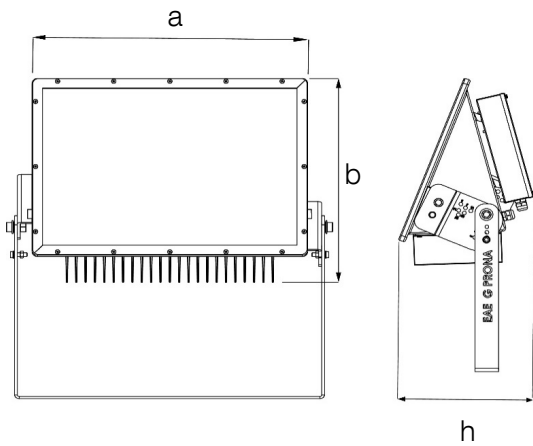
Optional Features

Correlated Color Temperatures : 5000K, 5700K

GPRONA

182 W Front and Area LED Lighting Luminaires

3106457 GPR 182Z 40CM00 AS 25K9



Dimensions (mm)

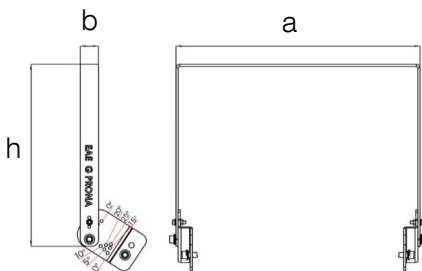
| | a | b | h |
|----------|-----|-----|-----|
| Standard | 586 | 410 | 235 |

Weight (kg)

| | |
|----------|----|
| Standard | 20 |
|----------|----|



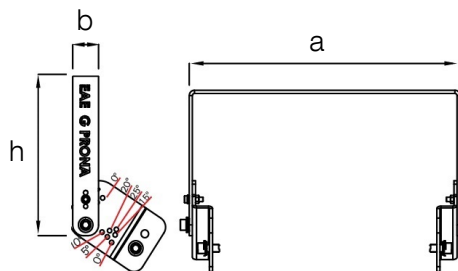
Suspension Set



Tall Hanger Set

Ordering Code : 3116720

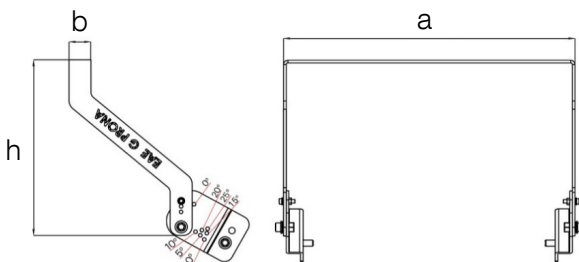
| a | b | h |
|-------|------|-------|
| 662mm | 50mm | 506mm |



Short Hanger Set

Ordering Code : 3117816

| a | b | h |
|-------|------|-------|
| 662mm | 50mm | 306mm |

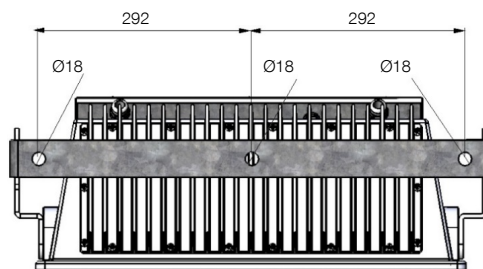


Angled Hanger Set

Ordering Code : 3114842

| a | b | h |
|-------|------|-------|
| 662mm | 50mm | 406mm |

Hanger Set Bore Diameter Measures



- EAE, reserves the right to make changes without prior notice.



Revision date: 12.05.2018