

Order Code : 3106460  
Product Code : GPR 313Z 40CM00 AS 43K6

### Product Data

#### Standard Features

Housing	: SW 306G painted aluminium injection housing
Diffuser	: Tempered transparent glass
Optic	: Asymmetric reflector
IP Grade	: IP66
Installation	: Floor, wall, pole mounted
Light Source	: Power LED

#### Optical & Electrical Features

Power Consumption	: 313.3 W
Final Luminous Flux	: 43634 lm
Efficacy	: 139.2 lm/W
Input Voltage	: 220-240 V AC
Frequency	: 50-60 Hz
Power Factor	: > 0,9
Surge Transient Protection	: 6 kV
Drive Current	: 700 mA
Correlated Color Temperature	: 4000K
Color Rendering Index	: >70

#### Other Features & Conditions

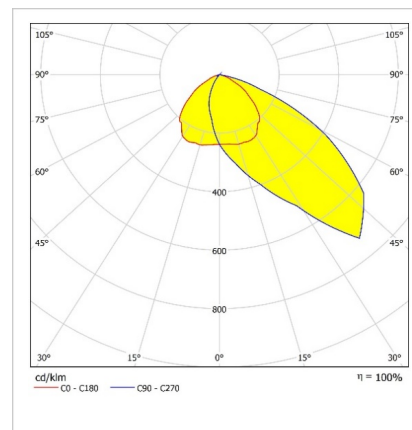
Operating Temperature Range	: -40 °C/+45 °C
Impact Resistance	: IK09
Led Life Time - L70	: > 60.000 hours @Ta= 45 °C

# GPRONA

313 W Front and Area LED Lighting Luminaires



### Photometric Curve



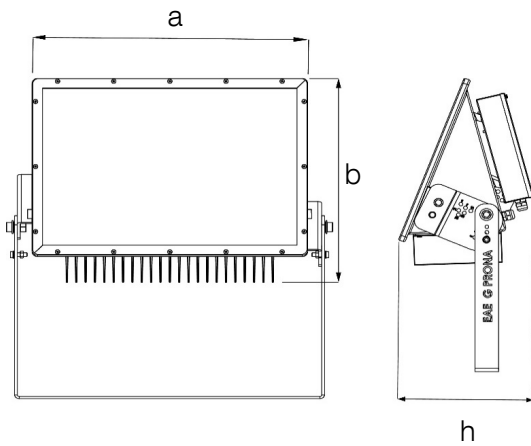
#### Optional Features

Correlated Color Temperatures : 5000K, 5700K

## GPRONA

313 W Front and Area LED Lighting Luminaires

3106460 GPR 313Z 40CM00 AS 43K6



### Dimensions (mm)

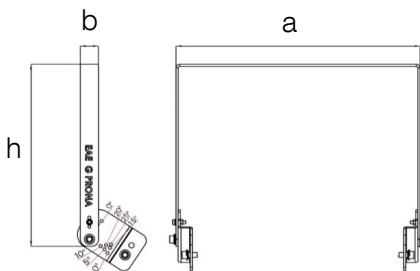
	a	b	h
Standard	586	410	235

### Weight (kg)

Standard	20
----------	----



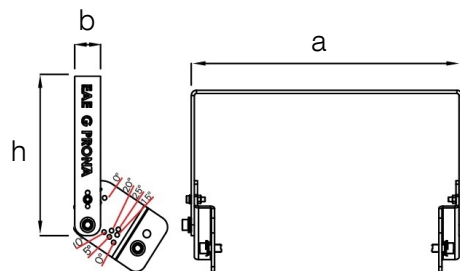
### Suspension Set



#### Tall Hanger Set

Ordering Code : 3116720

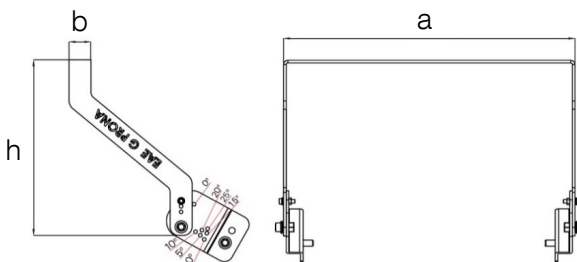
a	b	h
662mm	50mm	506mm



#### Short Hanger Set

Ordering Code : 3117816

a	b	h
662mm	50mm	306mm

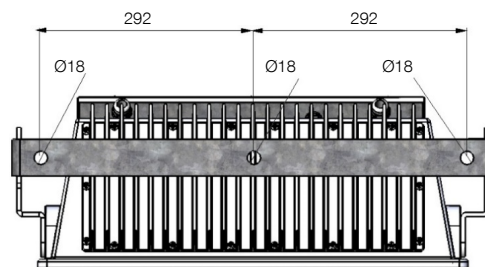


#### Angled Hanger Set

Ordering Code : 3114842

a	b	h
662mm	50mm	406mm

### Hanger Set Bore Diameter Measures



- EAE, reserves the right to make changes without prior notice.

**engineering the light**

EAE Aydınlatma A.Ş.  
İkitelli Organize Sanayi Bölgesi Eski Turgut Özal Caddesi No:20 Başakşehir / İSTANBUL-TÜRKYE Phone: +90 212 413 21 00 (pbx) Fax: +90 212 549 37 90  
www.eaeaydinlatma.com.tr

Revision date: 12.05.2018