



Order Code : 3106463
Product Code : GPR 413Z 40CM00 AS 57K5

Product Data

Standard Features

Housing	: SW 306G painted aluminium injection housing
Diffuser	: Tempered transparent glass
Optic	: Asymmetric reflector
IP Grade	: IP66
Installation	: Floor, wall, pole mounted
Light Source	: Power LED

Optical & Electrical Features

Power Consumption	: 412.7 W
Final Luminous Flux	: 57579 lm
Efficacy	: 139.5 lm/W
Input Voltage	: 220-240 V AC
Frequency	: 50-60 Hz
Power Factor	: > 0,9
Surge Transient Protection	: 4 kV
Drive Current	: 700 mA
Correlated Color Temperature	: 4000K
Color Rendering Index	: >70

Other Features & Conditions

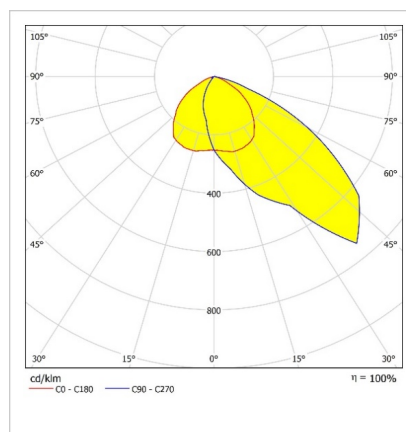
Operating Temperature Range	: -40 °C/+45 °C
Impact Resistance	: IK09
Led Life Time - L70	: > 60.000 hours @Ta= 45 °C

GPRONA

413 W Front and Area LED Lighting Luminaires



Photometric Curve



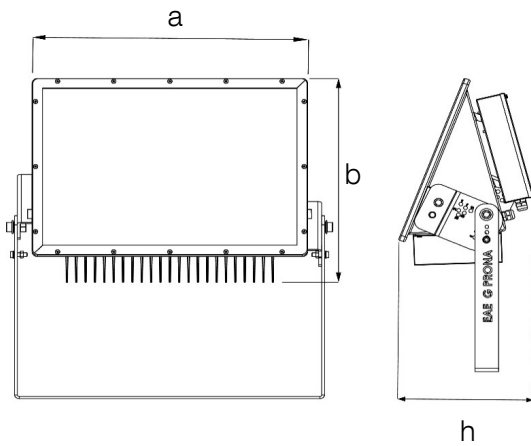
Optional Features

Correlated Color Temperatures : 5000K, 5700K

GPRONA

413 W Front and Area LED Lighting Luminaires

3106463 GPR 413Z 40CM00 AS 57K5



Dimensions (mm)

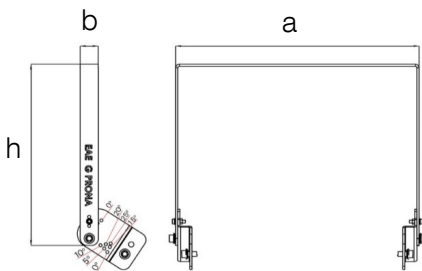
	a	b	h
Standard	586	410	235

Weight (kg)

Standard	20
----------	----



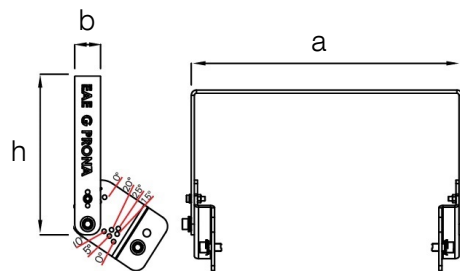
Suspension Set



Tall Hanger Set

Ordering Code : 3116720

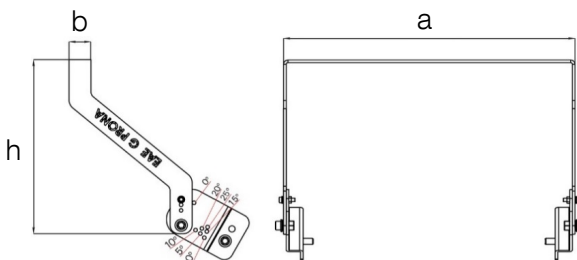
a	b	h
662mm	50mm	506mm



Short Hanger Set

Ordering Code : 3117816

a	b	h
662mm	50mm	306mm

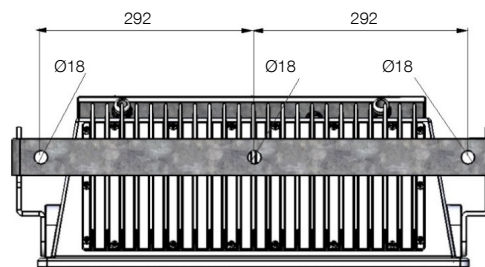


Angled Hanger Set

Ordering Code : 3114842

a	b	h
662mm	50mm	406mm

Hanger Set Bore Diameter Measures



- EAE, reserves the right to make changes without prior notice.



EAE Aydınlatma A.Ş.
İkitelli Organize Sanayi Bölgesi Eski Turgut Özal Caddesi No:20 Başakşehir / İSTANBUL-TÜRKİYE Phone: +90 212 413 21 00 (pbx) Fax: +90 212 549 37 90
www.eaeaydinlatma.com.tr

Revision date: 12.05.2018