



MEGALIT II

462 W Harbour and Outdoor
LED Area Lighting Luminaire

Order Code : 3112353
Product Code : MGL 462Z 50CM00 30 LLLL



Product Data

Standard Features

Housing	: Corrosion resistant, electrostatic powder coated compressed die-cast aluminium housing
Diffuser	: Tempered Glass
Angle	: 30° lens
IP Grade	: IP66
Installation	: Floor Mounted
Light Source	: Power LED

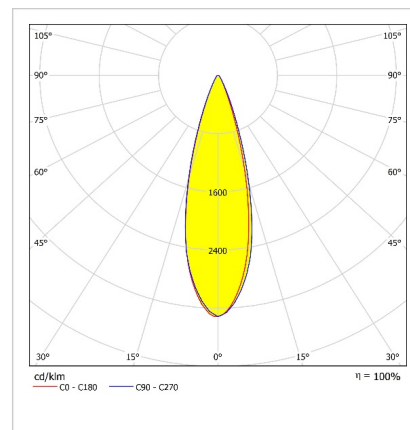
Optical & Electrical Features

Power Consumption	: 462.5 W
Final Luminous Flux	: 52336 lm
Efficacy	: 113.1 lm/W
Input Voltage	: 220-240 V AC
Frequency	: 50-60 Hz
Power Factor	: > 0,9
Surge Transient Protection	: 2 kV
Drive Current	: 741.6mA
Correlated Color Temperature	: 5000K
Color Rendering Index	: >70

Other Features & Conditions

Operating Temperature Range	: -20 °C/+50 °C
Impact Resistance	: IK08
Led Life Time - L70	: > 50.000 hours @Ta= 50 °C

Photometric Curve



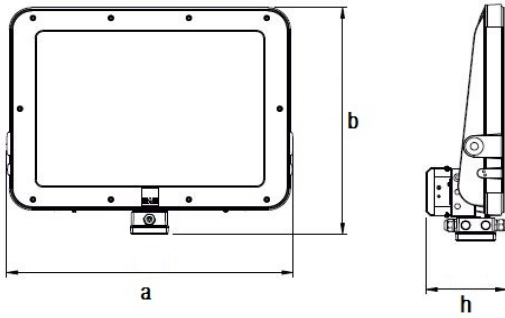
Optional Features

Angle Options : 12°, 18°, 60°

MEGALIT II

462 W Harbour and Outdoor LED Area Lighting Luminaire

3112353 MGL 462Z 50CM00 30 LLLL



Dimensions (mm)

	a	b	h
Standard	691	492	178



Weight (kg)

Standard	24
----------	----

Energy Conservation Solutions Pty Ltd
 Exclusive Distributor for EAE Lighting in Australia
 Locations: VIC/TAS, NSW, QLD, ACT, SA/NT & WA
 Phone: 1300 306 136
 For contact details visit: www.ecs.net.au