



PROLIT-M PR v.2

43 W Front and Area LED Lighting Luminaire

Order Code : 3113619
Product Code : PRM 043D 57CM00 110 5K33 PR V2

Product Data

Standard Features

Housing	: Aluminium injection housing
Diffuser	: Tempered glass
Optic	: 110° lens
IP Grade	: IP66
Installation	: Floor Mounted
Light Source	: Power LED

Optical & Electrical Features

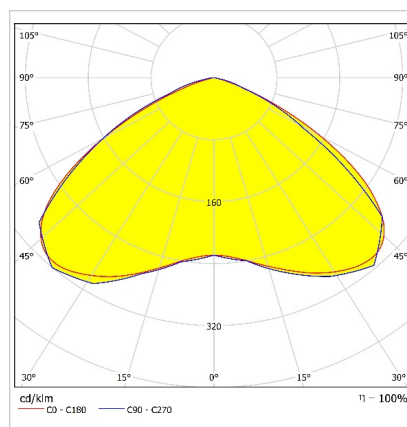
Power Consumption	: 43 W
Final Luminous Flux	: 5330 lm
Efficacy	: 123.9 lm/W
Input Voltage	: 220-240 V AC
Frequency	: 50-60 Hz
Power Factor	: > 0,9
Surge Transient Protection	: 3.5 kV
Drive Current	: 1050 mA
Correlated Color Temperature	: 5700K
Color Rendering Index	: >70

Other Features & Conditions

Operating Temperature Range	: -25 °C/+50 °C
Impact Resistance	: IK09
Led Life Time - L70	: > 60.500 hours @Ta= 50 °C



Photometric Curve



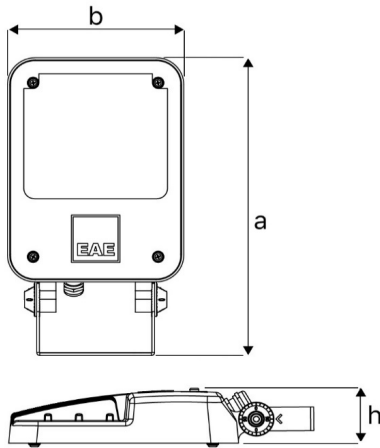
Optional Features

Correlated Color Temperatures	: 3000K,4000K,5000K,6500K
Dali	: Yes

PROLIT-M PR v.2

43 W Front and Area LED Lighting Luminaire

3113619 PRM 043D 57CM00 110 5K33 PR V2

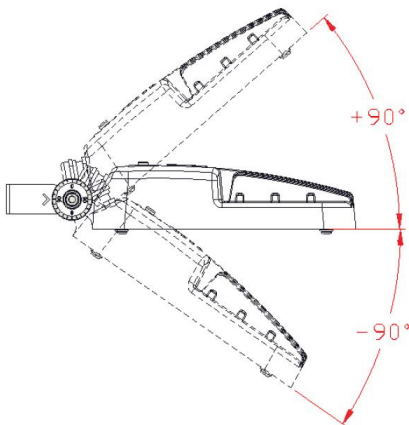


Dimensions (mm)

	a	b	h
Standard	342	191	68

Weight (kg)

Standard	2,1
Dali	2,9



Energy Conservation Solutions Pty Ltd
 Exclusive Distributor for EAE Lighting in Australia
 Locations: VIC/TAS, NSW, QLD, ACT, SA/NT & WA
 Phone: **1300 306 136**
 For contact details visit: www.ecs.net.au