



# PROLIT-M PR v.2

43 W Front and Area LED Lighting Luminaire

Order Code : 3113629  
Product Code : PRM 043D 57CM00 AS 4K85 PR V2

## Product Data

### Standard Features

Housing	: Aluminium injection housing
Diffuser	: Tempered glass
Optic	: Asymmetric lens
IP Grade	: IP66
Installation	: Floor Mounted
Light Source	: Power LED

### Optical & Electrical Features

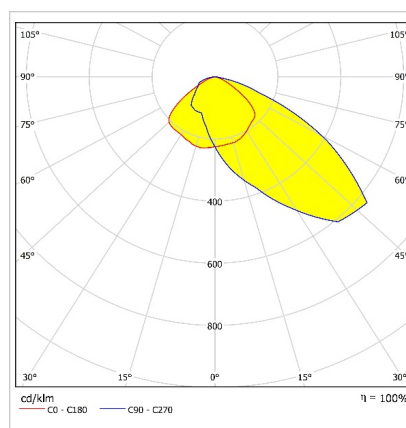
Power Consumption	: 42.6 W
Final Luminous Flux	: 4854.3 lm
Efficacy	: 113.7 lm/W
Input Voltage	: 220-240 V AC
Frequency	: 50-60 Hz
Power Factor	: > 0,9
Surge Transient Protection	: 3.5 kV
Drive Current	: 1050
Correlated Color Temperature	: 5700K
Color Rendering Index	: >70

### Other Features & Conditions

Operating Temperature Range	: -25 °C/+50 °C
Impact Resistance	: IK09
Led Life Time - L70	: > 60.500 hours @Ta= 50 °C



## Photometric Curve



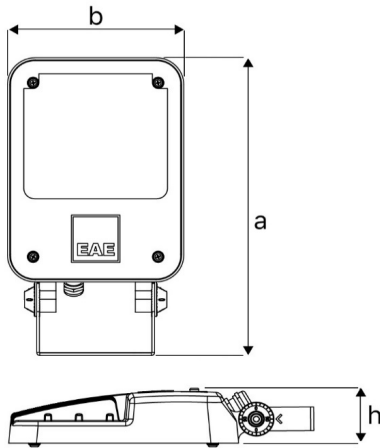
### Optional Features

Correlated Color Temperatures	: 3000K,4000K,5000K,6500K
Dali	: Yes

## PROLIT-M PR v.2

43 W Front and Area LED Lighting Luminaire

3113629 PRM 043D 57CM00 AS 4K85 PR V2

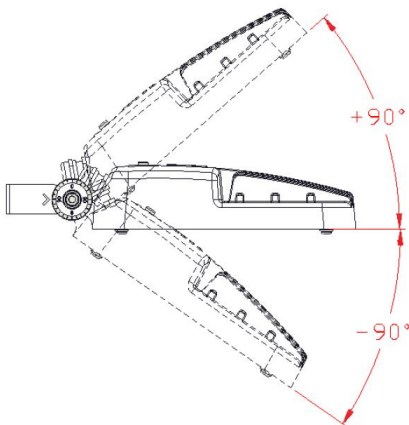


### Dimensions (mm)

	a	b	h
Standard	342	191	68

### Weight (kg)

Standard	2,8
Dali	2,9



**Energy Conservation Solutions Pty Ltd**  
 Exclusive Distributor for **EAE Lighting** in Australia  
 Locations: VIC/TAS, NSW, QLD, ACT, SA/NT & WA  
 Phone: **1300 306 136**  
 For contact details visit: **[www.ecs.net.au](http://www.ecs.net.au)**