



PROLIT-M PR v.2

60 W Front and Area LED Lighting Luminaire

Order Code : 3113639
Product Code : PRM 060D 57CM00 065 7K95 PR V2



Product Data

Standard Features

Housing	: Aluminium injection housing
Diffuser	: Tempered glass
Optic	: 65° lens
IP Grade	: IP66
Installation	: Floor Mounted
Light Source	: Power LED

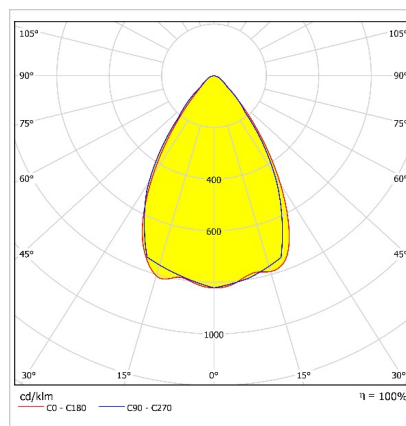
Optical & Electrical Features

Power Consumption	: 60.4 W
Final Luminous Flux	: 7951 lm
Efficacy	: 131.4 lm/W
Input Voltage	: 220-240 V AC
Frequency	: 50-60 Hz
Power Factor	: > 0,9
Surge Transient Protection	: 3.5 kV
Drive Current	: 1050 mA
Correlated Color Temperature	: 5700K
Color Rendering Index	: >70

Other Features & Conditions

Operating Temperature Range	: -25 °C/+50 °C
Impact Resistance	: IK09
Led Life Time - L70	: > 60.500 hours @Ta= 50 °C

Photometric Curve



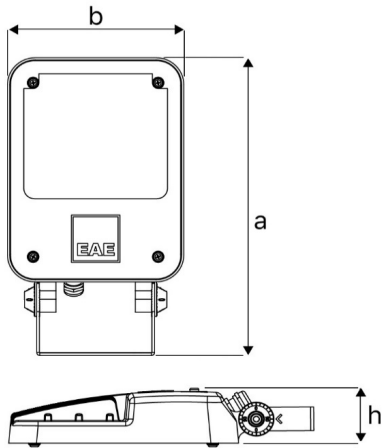
Optional Features

Correlated Color Temperatures	: 3000K,4000K,5000K,6500K
Dali	: Yes

PROLIT-M PR v.2

60 W Front and Area LED Lighting Luminaire

3113639 PRM 060D 57CM00 065 7K95 PR V2

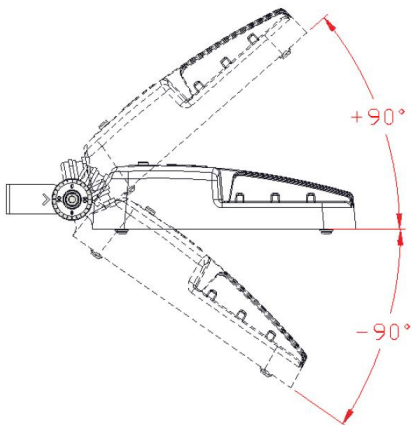


Dimensions (mm)

	a	b	h
Standard	342	191	68

Weight (kg)

Standard	2,8
Dali	2,9



Energy Conservation Solutions Pty Ltd

Exclusive Distributor for EAE Lighting in Australia
Locations: VIC/TAS, NSW, QLD, ACT, SA/NT & WA
Phone: 1300 306 136
For contact details visit: www.ecs.net.au