



# PROLIT-M PR v.2

30 W Front and Area LED Lighting Luminaire

Order Code : 3114190  
Product Code : PRM 030D 57CM00 WL 3K81 PR V2



## Product Data

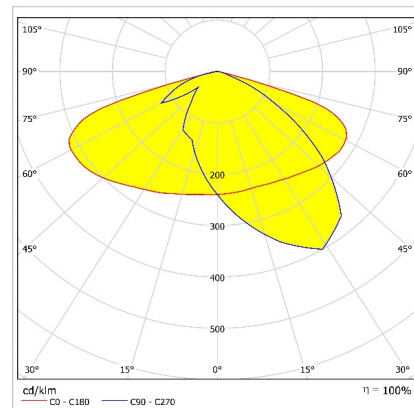
### Standard Features

|              |                               |
|--------------|-------------------------------|
| Housing      | : Aluminium injection housing |
| Diffuser     | : Tempered glass              |
| Optic        | : Wide angle lens             |
| IP Grade     | : IP66                        |
| Installation | : Floor Mounted               |
| Light Source | : Power LED                   |

### Optical & Electrical Features

|                              |                |
|------------------------------|----------------|
| Power Consumption            | : 29.4 W       |
| Final Luminous Flux          | : 3810 lm      |
| Efficacy                     | : 129.3 lm/W   |
| Input Voltage                | : 220-240 V AC |
| Frequency                    | : 50-60 Hz     |
| Power Factor                 | : > 0,9        |
| Surge Transient Protection   | : 3.5 kV       |
| Drive Current                | : 700 mA       |
| Correlated Color Temperature | : 5700K        |
| Color Rendering Index        | : >70          |

## Photometric Curve



### Other Features & Conditions

|                             |                             |
|-----------------------------|-----------------------------|
| Operating Temperature Range | : -25 °C/+50 °C             |
| Impact Resistance           | : IK09                      |
| Led Life Time - L70         | : > 60.500 hours @Ta= 50 °C |

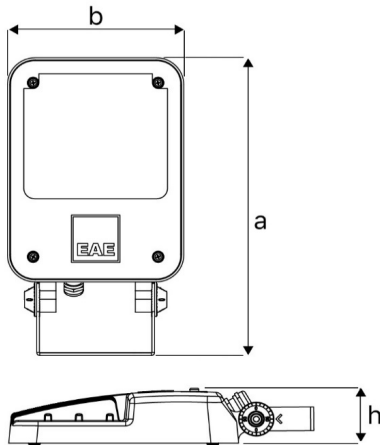
### Optional Features

|                               |                           |
|-------------------------------|---------------------------|
| Correlated Color Temperatures | : 3000K,4000K,5000K,6500K |
| Dali                          | : Yes                     |

## PROLIT-M PR v.2

30 W Front and Area LED Lighting Luminaire

3114190 PRM 030D 57CM00 WL 3K81 PR V2

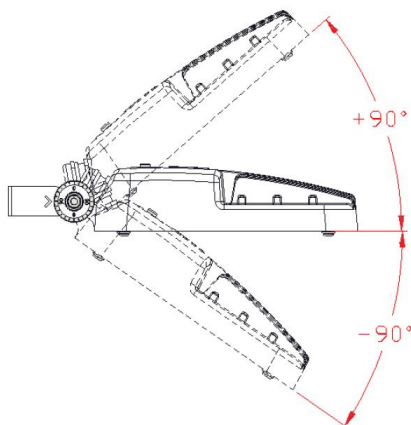


### Dimensions (mm)

|          | a   | b   | h  |
|----------|-----|-----|----|
| Standard | 342 | 191 | 68 |

### Weight (kg)

|          |     |
|----------|-----|
| Standard | 2,1 |
| Dali     | 2,9 |



**Energy Conservation Solutions Pty Ltd**  
 Exclusive Distributor for EAE Lighting in Australia  
 Locations: VIC/TAS, NSW, QLD, ACT, SA/NT & WA  
 Phone: **1300 306 136**  
 For contact details visit: [www.ecs.net.au](http://www.ecs.net.au)