



## PROLIT v.2

132 W Front and Area LED Lighting Luminaires

Order Code : 3120766  
Product Code : PRL 132Z 40CM00 28 15K3 V.2



### Product Data

#### Standard Features

Housing	: Aluminium injection housing
Diffuser	: Tempered glass
Optic	: 28° lens
IP Grade	: IP66
Installation	: Floor Mounted
Light Source	: Power LED

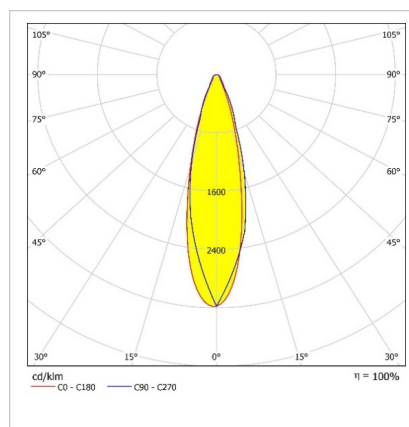
#### Optical & Electrical Features

Power Consumption	: 132.7 W
Final Luminous Flux	: 15356.4 lm
Efficacy	: 115.6 lm/W
Input Voltage	: 220-240 V AC
Frequency	: 50-60 Hz
Power Factor	: > 0,9
Surge Transient Protection	: 4 kV
Drive Current	: 1050 mA
Correlated Color Temperature	: 4000K
Color Rendering Index	: >70

#### Other Features & Conditions

Operating Temperature Range	: -20 °C/+40 °C
Impact Resistance	: IK07
Led Life Time - L70	: > 60.500 hours @Ta= 40 °C

### Photometric Curve



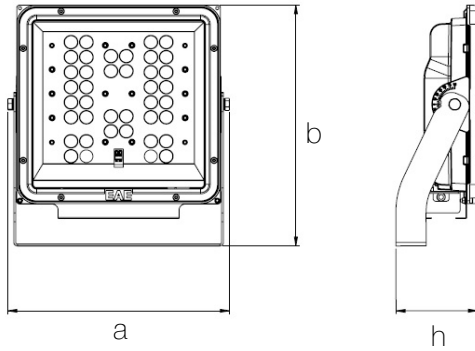
#### Optional Features

Correlated Color Temperatures	: 3000K, 5700K
Electronic Control	: Dali, Dimko, 1-10 V
Angle Options	: 18° lens, 54° lens, Asymmetric lens

## PROLIT v.2

132 W Front and Area LED Lighting Luminaires

3120766 PRL 132Z 40CM00 28 15K3 V.2



### Dimensions (mm)

	a	b	h
Standard	366	408	135



### Weight (kg)

Standard	6,6
----------	-----

**Energy Conservation Solutions Pty Ltd**  
 Exclusive Distributor for EAE Lighting in Australia  
 Locations: VIC/TAS, NSW, QLD, ACT, SA/NT & WA  
 Phone: **1300 306 136**  
 For contact details visit: [www.ecs.net.au](http://www.ecs.net.au)