



PROLIT v.2

176 W Front and Area LED Lighting Luminaires

Order Code : 3120779
Product Code : PRL 176Z 40CM00 54 18K5 V.2



Product Data

Standard Features

| | |
|--------------|-------------------------------|
| Housing | : Aluminium injection housing |
| Diffuser | : Tempered glass |
| Optic | : 54° lens |
| IP Grade | : IP66 |
| Installation | : Floor Mounted |
| Light Source | : Power LED |

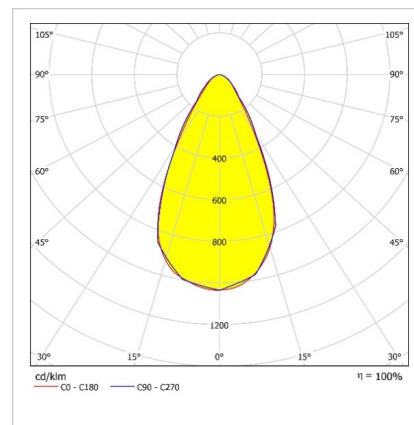
Optical & Electrical Features

| | |
|------------------------------|----------------|
| Power Consumption | : 176.3 W |
| Final Luminous Flux | : 18595.7 lm |
| Efficacy | : 105.4 lm/W |
| Input Voltage | : 220-240 V AC |
| Frequency | : 50-60 Hz |
| Power Factor | : > 0,9 |
| Surge Transient Protection | : 4 kV |
| Drive Current | : 1400 mA |
| Correlated Color Temperature | : 4000K |
| Color Rendering Index | : >70 |

Other Features & Conditions

| | |
|-----------------------------|-----------------------------|
| Operating Temperature Range | : -20 °C/+40 °C |
| Impact Resistance | : IK07 |
| Led Life Time - L70 | : > 60.500 hours @Ta= 40 °C |

Photometric Curve



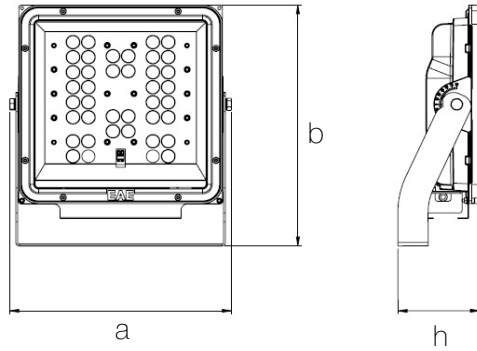
Optional Features

| | |
|-------------------------------|---------------------------------------|
| Correlated Color Temperatures | : 3000K, 5700K |
| Electronic Control | : Dali, Dimko, 1-10 V |
| Angle Options | : 18° lens, 28° lens, Asymmetric lens |

PROLIT v.2

176 W Front and Area LED Lighting Luminaires

3120779 PRL 176Z 40CM00 54 18K5 V.2



Dimensions (mm)

| | a | b | h |
|----------|-----|-----|-----|
| Standard | 366 | 408 | 135 |



Weight (kg)

| | |
|----------|-----|
| Standard | 6,6 |
|----------|-----|

Energy Conservation Solutions Pty Ltd
 Exclusive Distributor for EAE Lighting in Australia
 Locations: VIC/TAS, NSW, QLD, ACT, SA/NT & WA
 Phone: **1300 306 136**
 For contact details visit: www.ecs.net.au