



# PROLIT v.2

195 W Front and Area LED Lighting Luminaires

Order Code : 3120790  
Product Code : PRL 195Z 40CM00 28 20K2 V.2



## Product Data

### Standard Features

Housing	: Aluminium injection housing
Diffuser	: Tempered glass
Optic	: 28° lens
IP Grade	: IP66
Installation	: Floor Mounted
Light Source	: Power LED

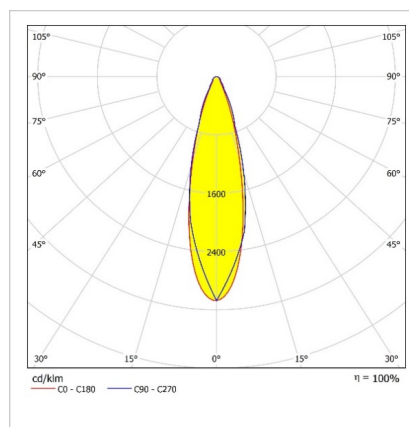
### Optical & Electrical Features

Power Consumption	: 194.9 W
Final Luminous Flux	: 20232.4 lm
Efficacy	: 103.8 lm/W
Input Voltage	: 220-240 V AC
Frequency	: 50-60 Hz
Power Factor	: > 0,9
Surge Transient Protection	: 4 kV
Drive Current	: 1400 mA
Correlated Color Temperature	: 4000K
Color Rendering Index	: >70

### Other Features & Conditions

Operating Temperature Range	: -20 °C/+40 °C
Impact Resistance	: IK07
Led Life Time - L70	: > 60.500 hours @Ta= 40 °C

## Photometric Curve



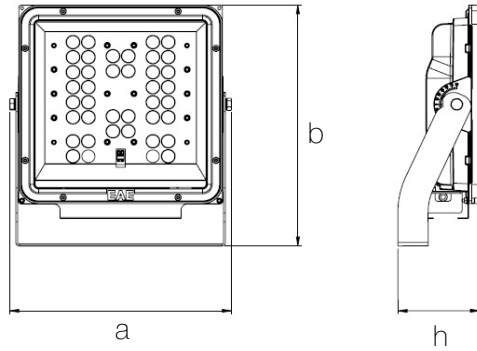
### Optional Features

Correlated Color Temperatures	: 3000K, 5700K
Electronic Control	: Dali, Dimko, 1-10 V
Angle Options	: 18° lens, 54° lens, Asymmetric lens

## PROLIT v.2

195 W Front and Area LED Lighting Luminaires

3120790 PRL 195Z 40CM00 28 20K2 V.2



### Dimensions (mm)

	a	b	h
Standard	366	408	135



### Weight (kg)

Standard	6,6
----------	-----

### Energy Conservation Solutions Pty Ltd

Exclusive Distributor for EAE Lighting in Australia  
Locations: VIC/TAS, NSW, QLD, ACT, SA/NT & WA

Phone: 1300 306 136

For contact details visit: [www.ecs.net.au](http://www.ecs.net.au)