



# PROLIT KOMPAKT V.2

49 W Front and Area LED Lighting Luminaire

Order Code : 3120871  
Product Code : PRK 049Z 57KC00 WL 5K40 V.2



## Product Data

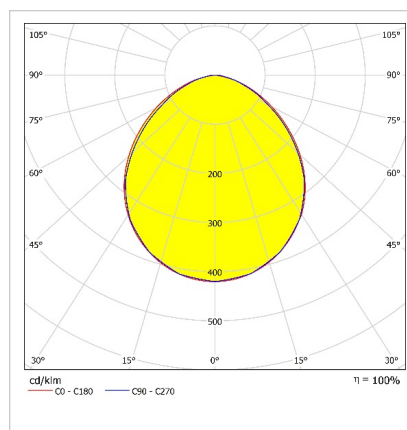
### Standard Features

Housing	: Aluminium injection housing
Diffuser	: Tempered sanded glass
Optic	: Wide angle lens
IP Grade	: IP66
Installation	: Floor Mounted
Light Source	: Power LED

### Optical & Electrical Features

Power Consumption	: 48,4 W
Final Luminous Flux	: 5469,3 lm
Efficacy	: 112,8 lm/W
Input Voltage	: 220-240 V AC
Frequency	: 50-60 Hz
Power Factor	: > 0,9
Surge Transient Protection	: 3,5 kV
Drive Current	: 525 mA
Correlated Color Temperature	: 5700K
Color Rendering Index	: >70

## Photometric Curve



### Other Features & Conditions

Operating Temperature Range	: -20 °C/+50 °C
Impact Resistance	: IK10
Led Life Time - L70	: > 60.500 hours @Ta= 50 °C

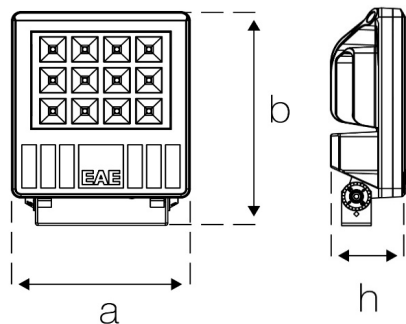
### Optional Features

Correlated Color Temperatures	: 3000K, 4000K
Dali	: Yes

## PROLIT KOMPAKT V.2

49 W Front and Area LED Lighting Luminaire

3120871 PRK 049Z 57KC00 WL 5K40 V.2

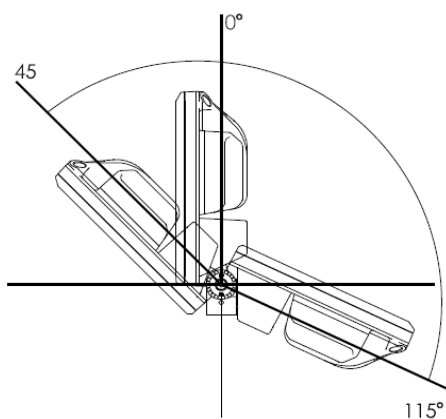


### Dimensions (mm)

	a	b	h
Standard	246	305	96

### Weight (kg)

Standard	4,9
----------	-----



**Energy Conservation Solutions Pty Ltd**

Exclusive Distributor for EAE Lighting in Australia  
Locations: VIC/TAS, NSW, QLD, ACT, SA/NT & WA

Phone: **1300 306 136**

For contact details visit: [www.ecs.net.au](http://www.ecs.net.au)