

DATA SHEET

PD-FLAT 360i/8 SQUARE WHITE DALI SET

Order description

PD-FLAT-S 360i/8 SW DALI

Item number

EP10428715

GTIN

4015120428715



Product description

- DALI design presence detector with excellent detection capabilities, at least 8 m in diameter
- Low profile design with plastic design covers: square, white - variably interchangeable (alternatively: round, glass, black)
- Set: DALI bus power supply 200 mA included in delivery

Technical data

GENERAL	
Conformity	CE, RoHS, WEEE
warranty	5-year
MOUNTING	
Installation type	Recessed mounting
Installation position	Ceiling
Installation dimension	Installation depth 24 mm, Ø 60 mm
HOUSING	
Dimensions	length 77 mm x width 77 mm x Height/Depth 6 mm
Weight	80 g
Housing material	UV-stabilised polycarbonate
Protection type	IP 20
Permissible ambient temperature	0 °C...+50 °C
Relative humidity	5 - 93 %, non-condensing
Colour	white, similar to RAL 9010
Terminal	2,5 mm ² / 1,5 mm ²
ELECTRICAL VERSION	
Protection class	III
Nominal voltage	230 - 230 V / 50 - 60 Hz
SENSORS	
Power consumption	0,3 W
Power consumption	12 mA
Detection angle	360°

Detection range diagonally	8 m
Detection range head-on	6 m
Presence detection range	4 m
Field of detection	50 m ²
Range adjustment	mechanically with internal lens cover
Recommended installation height	3 m
Max. mounting height	5 m
Light measurement	mixed light
Level of brightness	3 - 1000 lx
Number of light channels	1
Number of switching contacts	0
Slave input	yes, via DALI
Fully automatic	yes
Semi-automatic	yes
constant lighting control	true
Switching delay from "dark to light" [s]	300 s
Switching delay from "light to dark" [s]	30 s

CONTROL

Channel 1	Lighting
Interface	Switching/Dimming
Contact	Bus system
Switch-off delay channel 1	60 s - 240 min
Orientation light	10 % to 50 % luminous efficiency
Switch-off delay time, orientation light	disabled/approx. 1 minute - 240 minutes
Orientation light	10 % to 50 % luminous efficiency
Switch-off delay time, orientation light	disabled/approx. 1 minute - 240 minutes
Bus voltage	9.5-22.5 V DC

DATA SHEET

PD-FLAT 360i/8 SQUARE WHITE DALI SET

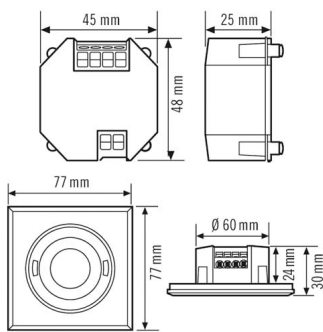
Order description	Item number	GTIN
PD-FLAT-S 360i/8 SW DALI	EP10428715	4015120428715
Master/slave function	true	
constant lighting control	true	

Manual override	yes, via IR
DALI output 1	DALI bus / Broadcast

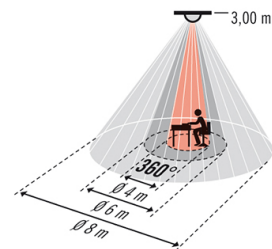
Accessories

Product designation	Item number	GTIN
ESY-Pen	EP10425356	4015120425356
Mobil-PDi/MDi-universal	EP10433993	4015120433993
Mobil-PDi/Dali	EP10425899	4015120425899
Basket guard 165/70	EM10425615	4015120425615
Basket guard 180/90	EM10425608	4015120425608
Recessed ceiling mounting kit for FLAT series	EP10426889	4015120426889
SW DALI Full Automation	EP10427473	4015120427473
SW DALI Semi Automation	EP10427480	4015120427480
Cover FLAT series ROUND WHITE cover	EP00007231	4015120007231
Cover FLAT series GLASS ROUND WHITE cover	EP00007255	4015120007255
Cover FLAT series GLASS SQUARE WHITE cover	EP00007262	4015120007262

Scale drawing



Field of detection



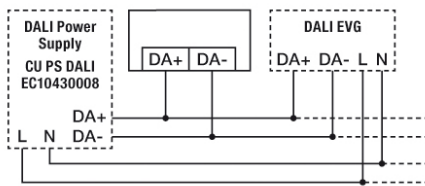
- Operating area approx. \varnothing 4 m
- Head-on to detector approx. \varnothing 6 m
- Passage area / diagonally to detector approx. \varnothing 8 m

DATA SHEET

PD-FLAT 360i/8 SQUARE WHITE DALI SET

Order description	Item number	GTIN
PD-FLAT-S 360i/8 SW DALI	EP10428715	4015120428715

Circuit diagram



Standard operation

Energy Conservation Solutions Pty Ltd
Exclusive Distributor for ESYLUX in Australia Locations:
VIC/TAS, NSW, QLD, ACT, SA/NT & WA
Phone: **1300 306 136**
For contact details visit: www.ecs.net.au