

DATA SHEET

PNL 600 UMF FM WH

Order description	Item number	GTIN
PNLNOV10 ceiling flush mounting hou	EQ10113086	4015120113086

Product description

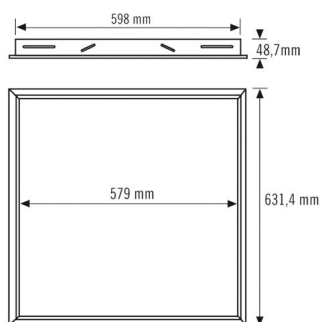
Ceiling flush mounting 600 for panel lights in the NOVA and CELINE ranges.



Technical data

GENERAL		HOUSING	
Conformity	CE, RoHS, SundaHus, WEEE	Dimensions	length 635,4 mm x width 635,4 mm x Height/Depth 48,2 mm
MOUNTING		Weight	1200 g
Installation dimension	Installation length 614 mm x Installation width 614 mm x Installation depth 48,2 mm	Housing material	painted aluminium
		Colour	white, similar to RAL 9003

Scale drawing



Energy Conservation Solutions Pty Ltd

Exclusive Distributor for ESYLUX in Australia Locations:

VIC/TAS, NSW, QLD, ACT, SA/NT & WA

Phone: 1300 306 136

For contact details visit: www.ecs.net.au