

## DATA SHEET

### PNL 600 UMF FM WH

Order description	Item number	GTIN
PNLNOV10 ceiling flush mounting hou	EQ10113086	4015120113086

#### Product description

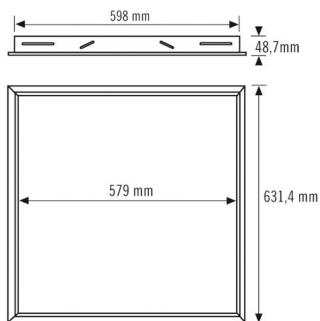
Ceiling flush mounting 600 for panel lights in the NOVA and CELINE ranges.



#### Technical data

GENERAL		HOUSING	
Conformity	CE, RoHS, SundaHus, WEEE	Dimensions	length 635,4 mm x width 635,4 mm x Height/Depth 48,2 mm
<b>MOUNTING</b>		Weight	1200 g
Installation dimension	Installation length 614 mm x Installation width 614 mm x Installation depth 48,2 mm	Housing material	painted aluminium
		Colour	white, similar to RAL 9003

#### Scale drawing



**Energy Conservation Solutions Pty Ltd**  
 Exclusive Distributor for ESYLUX in Australia Locations:  
 VIC/TAS, NSW, QLD, ACT, SA/NT & WA  
 Phone: **1300 306 136**  
 For contact details visit: [www.ecs.net.au](http://www.ecs.net.au)