

## DATA SHEET

### PL SUN LED 10 W 5K

#### Order description

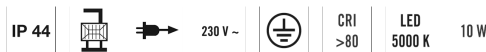
PL SUN LED 10 W 5K

#### Item number

EL10810305

#### GTIN

4015120810305



#### Product description

- LED spotlight with high-quality aluminium die-cast housing, with 5 m H07RN-F rubber-insulated flexible cable and plug with earthing contact
- 10 W LED luminous efficiency corresponds to 63 W light bulb, light colour approx. 5000 K white
- High light yield of 90 lm/W, excellent colour rendering index Ra 80

#### Technical data

GENERAL	
Conformity	CE, RoHS, WEEE
warranty	3-year
MOUNTING	
Installation type	Free standing
Mounting location	Floor
HOUSING	
Dimensions	Length 165 mm x Width 147 mm x Height/Depth 290 mm
Weight	1520 g
Material	Aluminium and UV-stabilised plastic
Protection type	IP 44
Permissible ambient temperature	-25 °C...+50 °C
Colour	Black, similar to RAL 9005
Terminal	2,5 mm <sup>2</sup> / 1,5 mm <sup>2</sup>

ELECTRICAL VERSION	
Protection class	I
Nominal voltage	230 - 230 V / 50 Hz
LIGHT	
Diffusor	transparent
Light emission	direkt
Beam angle	95 °
Flicker factor	<20 %
Rated output	10 W
Luminous Flux (light)	900 lm
Luminous efficacy	90 lm/W
LED service life	L80B10 = 50.000 h
Colour temperature	5000 K
Colour rendering index Ra	> 80
Energy efficiency class	A++ to A

#### Accessories

Product designation	Item number	GTIN
PL SUN telescopic stand	EL10810503	4015120810503

## DATA SHEET

### PL SUN LED 10 W 5K

**Order description**

PL SUN LED 10 W 5K

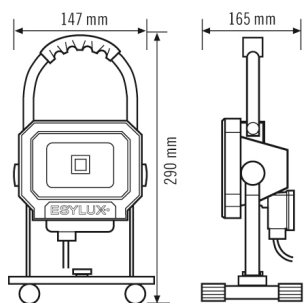
**Item number**

EL10810305

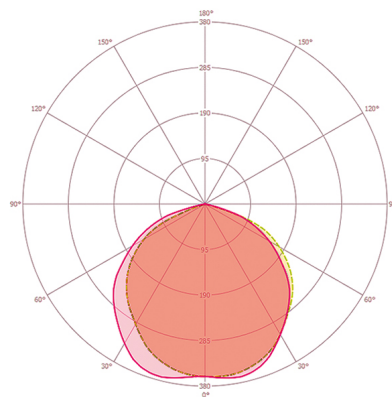
**GTIN**

4015120810305

**Scale drawing**



**Light distribution**



**Energy Conservation Solutions Pty Ltd**

Exclusive Distributor for ESYLUX in Australia Locations:

VIC/TAS, NSW, QLD, ACT, SA/NT & WA

Phone: **1300 306 136**

For contact details visit: [www.ecs.net.au](http://www.ecs.net.au)