

DATA SHEET

PL SUN LED 30W 5K

Order description

PL SUN LED 30W 5K

Item number

EL10810329

GTIN

4015120810329



Product description

- LED spotlight with high-quality aluminium die-cast housing, with 5 m H07RN-F rubber-insulated flexible cable and plug with earthing contact
- 30 W LED luminous efficiency corresponds to 155 W light bulb, light colour approx. 5000 K white
- High light yield of 90 lm/W, excellent colour rendering index Ra 80

Technical data

GENERAL	
Conformity	CE, RoHS, WEEE
warranty	3-year
MOUNTING	
Installation type	Free standing
Mounting location	Floor
HOUSING	
Dimensions	Length 230 mm x Width 240 mm x Height/Depth 390 mm
Weight	2840 g
Material	Aluminium and UV-stabilised plastic
Protection type	IP 44
Permissible ambient temperature	-25 °C...+50 °C
Colour	Black, similar to RAL 9005
Terminal	2,5 mm ² / 1,5 mm ²

ELECTRICAL VERSION	
Protection class	I
Nominal voltage	230 - 230 V / 50 Hz
LIGHT	
Diffusor	transparent
Light emission	direkt
Beam angle	110 °
Flicker factor	<20 %
Rated output	30 W
Luminous Flux (light)	2700 lm
Luminous efficacy	90 lm/W
LED service life	L80B10 = 50.000 h
Colour temperature	5000 K
Colour rendering index Ra	> 80
Energy efficiency class	A++ to A

Accessories

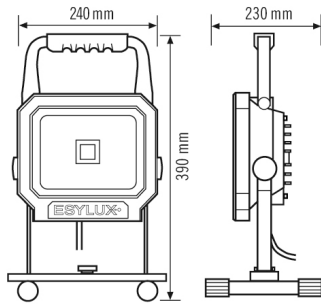
Product designation	Item number	GTIN
PL SUN telescopic stand	EL10810503	4015120810503

DATA SHEET

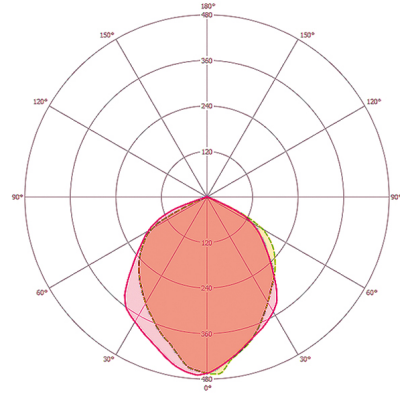
PL SUN LED 30W 5K

Order description	Item number	GTIN
PL SUN LED 30W 5K	EL10810329	4015120810329

Scale drawing



Light distribution



Energy Conservation Solutions Pty Ltd

Exclusive Distributor for ESYLUX in Australia Locations:

VIC/TAS, NSW, QLD, ACT, SA/NT & WA

Phone: **1300 306 136**

For contact details visit: www.ecs.net.au