

DATA SHEET

PL SUN LED 50W 5K

Order description

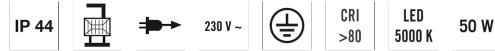
PL SUN LED 50W 5K

Item number

EL10810343

GTIN

4015120810343



Product description

- LED spotlight with high-quality aluminium die-cast housing, with 5 m H07RN-F rubber-insulated flexible cable and plug with earthing contact
- 50 W LED luminous efficiency corresponds to 240 W light bulb, light colour approx. 5000 K white
- High light yield of 90 lm/W, excellent colour rendering index Ra 80

Technical data

| GENERAL | |
|---------------------------------|--|
| Conformity | CE, RoHS, WEEE |
| warranty | 3-year |
| MOUNTING | |
| Installation type | Free standing |
| Mounting location | Floor |
| HOUSING | |
| Dimensions | Length 230 mm x Width 240 mm x Height/Depth 390 mm |
| Weight | 2980 g |
| Material | Aluminium and UV-stabilised plastic |
| Protection type | IP 44 |
| Permissible ambient temperature | -25 °C...+50 °C |
| Colour | Black, similar to RAL 9005 |
| Terminal | 2,5 mm ² / 1,5 mm ² |

| ELECTRICAL VERSION | |
|---------------------------|---------------------|
| Protection class | I |
| Nominal voltage | 230 - 230 V / 50 Hz |
| LIGHT | |
| Diffusor | transparent |
| Light emission | direkt |
| Beam angle | 110 ° |
| Flicker factor | <20 % |
| Rated output | 50 W |
| Luminous Flux (light) | 4500 lm |
| Luminous efficacy | 90 lm/W |
| LED service life | L80B10 = 50.000 h |
| Colour temperature | 5000 K |
| Colour rendering index Ra | > 80 |
| Energy efficiency class | A++ to A |

Accessories

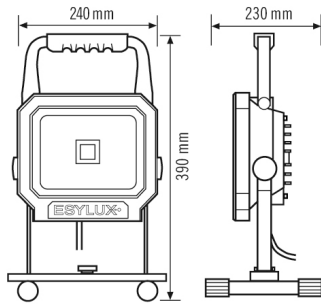
| Product designation | Item number | GTIN |
|-------------------------|-------------|---------------|
| PL SUN telescopic stand | EL10810503 | 4015120810503 |

DATA SHEET

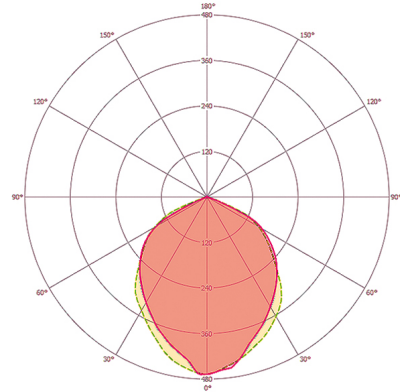
PL SUN LED 50W 5K

| Order description | Item number | GTIN |
|-------------------|-------------|---------------|
| PL SUN LED 50W 5K | EL10810343 | 4015120810343 |

Scale drawing



Light distribution



Energy Conservation Solutions Pty Ltd

Exclusive Distributor for **ESYLUX** in Australia Locations:

VIC/TAS, NSW, QLD, ACT, SA/NT & WA

Phone: **1300 306 136**

For contact details visit: www.ecs.net.au