

## DATA SHEET

### PL SUN LED 10W 5K RE

#### Order description

PL SUN LED 10 W 5 K, RE

#### Item number

EL10810374

#### GTIN

4015120810374



#### Product description

- LED spotlight with high-quality aluminium die-cast housing, battery powered
- 10 W LED luminous efficiency corresponds to 63 W light bulb, light colour approx. 5000 K white
- High light yield of 90 lm/W, excellent colour rendering index Ra 80

#### Technical data

##### GENERAL

Conformity	CE, RoHS, WEEE
warranty	3-year

##### MOUNTING

Installation type	Free standing
Mounting location	Floor

##### HOUSING

Dimensions	Length 165 mm x Width 147 mm x Height/Depth 290 mm
Weight	1097 g
Material	Aluminium and UV-stabilised plastic
Protection type	IP 44
Permissible ambient temperature	-25 °C...+50 °C
Colour	Black, similar to RAL 9005

##### ELECTRICAL VERSION

Protection class	III
Nominal voltage	230 - 230 V / 50 Hz

##### LIGHT

Diffusor	transparent
Light emission	direkt
Beam angle	110 °
Flicker factor	<1 %
Rated output	10 W
Luminous Flux (light)	750 lm
Luminous efficacy	75 lm/W
LED service life	L80B10 = 50.000 h
Colour temperature	5000 K
Colour rendering index Ra	> 80
Energy efficiency class	A++ to A

#### Accessories

##### Product designation

PL SUN telescopic stand

##### Item number

EL10810503

##### GTIN

4015120810503

## DATA SHEET

### PL SUN LED 10W 5K RE

**Order description**

PL SUN LED 10 W 5 K, RE

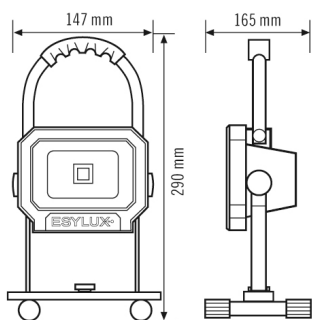
**Item number**

EL10810374

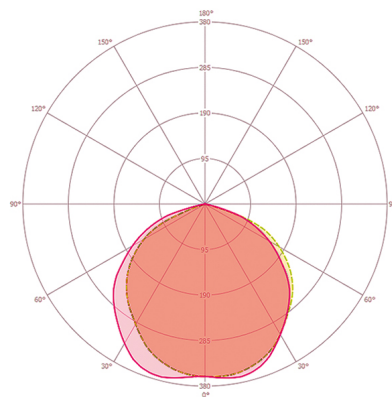
**GTIN**

4015120810374

**Scale drawing**



**Light distribution**



**Energy Conservation Solutions Pty Ltd**

Exclusive Distributor for ESYLUX in Australia Locations:

VIC/TAS, NSW, QLD, ACT, SA/NT & WA

Phone: **1300 306 136**

For contact details visit: [www.ecs.net.au](http://www.ecs.net.au)